

## U3KS

### GENERAL PURPOSE SUBMERSIBLE DRAINAGE PUMP 10MM FREE PASSAGE



#### FEATURES

- Safe to run dry.
- Continuous operation.
- Low level pumping.
- Flushing device.
- Moisture sealed cable inlet.
- Built in level control.
- Max. head - 7m.
- Max. flow - 105lpm.



#### APPLICATIONS

- Domestic waste water (without faecal matter).
- Rainwater.
- Drainage.
- Lightly polluted water.

#### OPERATING CONDITIONS

Drainage pump for the disposal of faecal free waste water, including rainwater and lightly polluted water containing particles up to 10mm. Install pump vertically (hose connection possible).

pH range: <4,5 - < 12

#### PUMP CONSTRUCTION MATERIALS

Vertical, single-stage, submersible, foot strainer with 10mm free passage – detachable for activating low level pumping. Spiral casing with 1¼" BSP (male) radial pressure branch and integrated swing-type check valve, spiral casing with flushing device for drain cleaning, EIP technology hydraulics with open 5-blade impeller.

**Pump casing:** Glass reinforced plastic.

**Impeller:** Glass reinforced plastic.

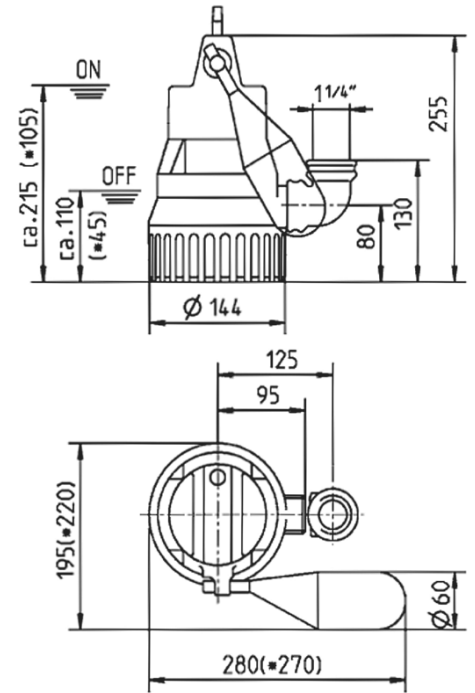
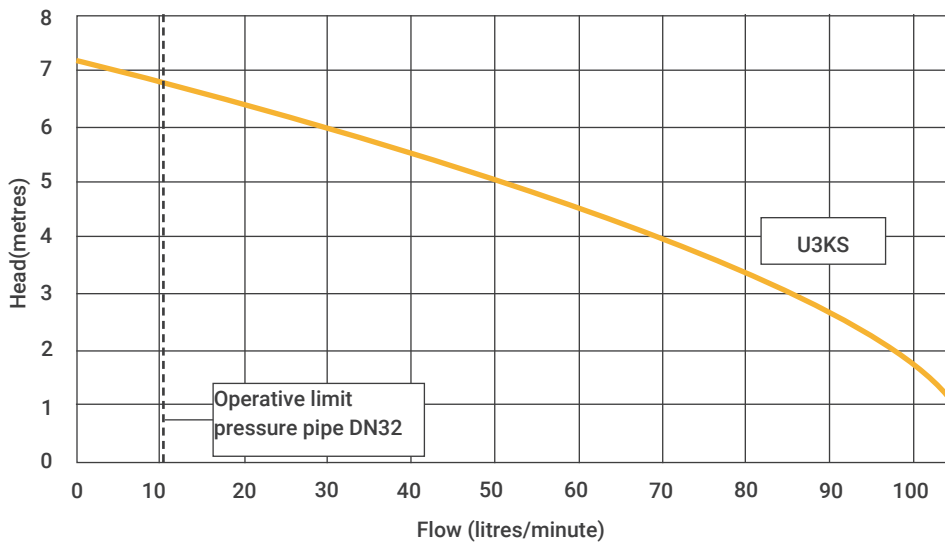
**Wear plate:** Glass reinforced plastic.

**Motor shaft:** 304SS.

**Mechanical seal:** Three-fold radial shaft seal ring incorporating an intermediate oil chamber.

## U3KS - Technical Data

### PERFORMANCE



### PERFORMANCE

Type	P/No	Delivery head [m]	1	2	3	4	5	6
U3KS	JP09484	Flow rate Q (lpm)	105	98	85	70	50	29

### ELECTRICAL DATA

Type	Type of current	Voltage ± 10%	Frequency Hz	Motor rating kW		RPM min	Current ampere	Motor protection	Insulation class	IP rating
				P1	P2					
U3KS	1-phase	230	50	0.32	0.20	2720	1.4 A	Auto	B	68

### DIMENSIONS

Type	Maximum H x W x D	Discharge branch	Free passage	Cable quality	Cable length	Weight approx.	Continuous operating temperature range	Intermittent temperature maximum
U3KS	255 x 200 x 280 mm	1 1/4" BSP (male)	10 mm	H07RN-F	10 m	4.3 kg	0° - 35°	60°