

LARGE HOME



FARM WATER



INDUSTRY



MultiPro SERIES

Stainless steel multistage pumps

The flagship in the Davies range of house/farm water supply pumps is the MultiPro series - quiet, compact, full stainless steel wet end and a wide range of models to suit your application.

Features

- 304 Stainless steel impellers, Diffusers, seal plate & Pump casing
- 303 Stainless steel pump shaft
- Quiet & Low running cost
- Offset suction for improved suction ability (3S & 5S models only)
- -15°C to +110°C operating temperature



Technical Data

Typical Applications:

- House and farm water supply
- Pressure boosting
- Water treatment
- Industrial circulation
- Hot water cleaning systems

Pump Type:

Horizontal non self-priming multistage centrifugal pump for pumping clean, thin , non-explosive, non-flammable, free of solid particles, sand and fibers.

Motor Type:

- Totally enclosed, fan cooled standard squirrel frame type motor
- Rated speed: 2850 RPM - 50Hz
- Single phase voltage range: 220-240V PSC
- Three phase voltage range: 220-240v Delta/380-415v star
- Insulation: Class F
- Protection: IP54
- Single phase versions fitted with auto reset internal overload
- Three phase version require user supplied overload to be fitted in installation






Operation limitations:

- Maximum ambient temperature: +40o°c
- Liquid temperature range: -15°c to + 110°c
- Maximum operating pressure: 8.5bar/125PSI

CONSTRUCTION MATERIALS

Description	Material
Pump Body	AISI 304 stainless steel
Impellers	AISI 304 stainless steel
Diffusers	AISI 304 stainless steel
Pump Shaft	AISI 304 stainless steel
Seal Plate	AISI 304 stainless steel
Mechanical Seal	Ceramic/Graphite (Graphite/Silicon carbide 7 stage versions)
Motor Bracket	Aluminium
O Ring	EPDM

Performance

	Model	HP	KW	M3/	0	1.2	2.4	3.6	4.8	6.0	7.2	8.4	9.6	12	14.4	18	21.6	25	
				H	0	20	40	60	80	100	120	140	160	200	240	300	360	420	
				L/M	H (M)														
	35-70/3	0.7	0.5		32	29	24	14	7										
	35-90/4	0.9	0.66		44	40	33	20	10										
	35-100/5	1.0	0.75		55	50	42	31	17										
	35-120/6	1.2	0.9		66	60	50	38	22										
	35-150/7	1.5	1.1		80	74	63	48	30										
	55-80/3	0.8	0.6		34		30	27	23	19	13	6							
	55-120/4	1.2	0.9		45		40	37	33	27	19	10							
	55-150/5	1.5	1.1		57		51	47	42	35	25	14							
	55-180/6	1.8	1.3		69		62	57	51	43	32	18							
	75-200/7	2.0	1.5		81		73	67	60	51	38	21							
	75-100/2	1.0	0.75		24		23	21	20	19	16	14	10						
	75-120/3	1.2	0.9		35		34	32	31	28	24	21	15						
	75-180/4	1.8	1.3		48		46	45	43	40	36	31	25						
	75-250/5	2.5	1.85		60		59	58	55	52	47	41	33						
	75-300/6	3.0	2.2		72		70	69	66	61	55	47	38						
	75-350/7	3.5	2.57		83		80	78	74	69	62	54	42						
	95-100/2	1.0	0.75		24			21	20	19	17	16	15	11	6				
	95-150/3	1.5	1.1		35			32	31	30	29	27	24	18	11				
	95-200/4	2.0	1.5		47			43	42	40	38	35	32	24	13				
	95-250/5	2.5	1.85		60			54	53	51	48	45	42	30	18				
	185-180/2	1.8	1.3		23					21	21	20	20	18	16	14	10	6	
	185-250/3	2.5	1.85		35					33	32	31	30	28	26	22	17	10	
	185-400/4	4.0	3.0		47					45	44	43	42	39	36	32	25	14	

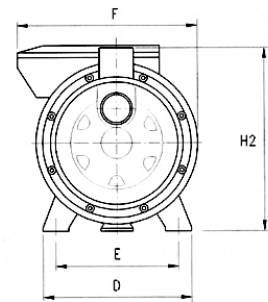
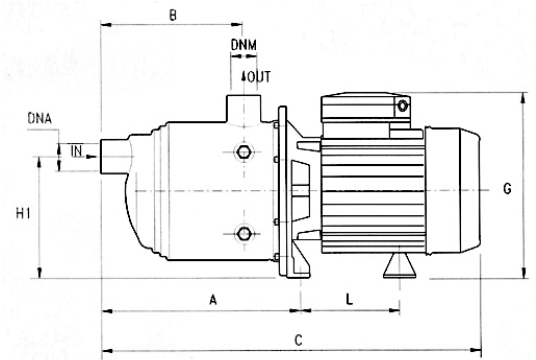
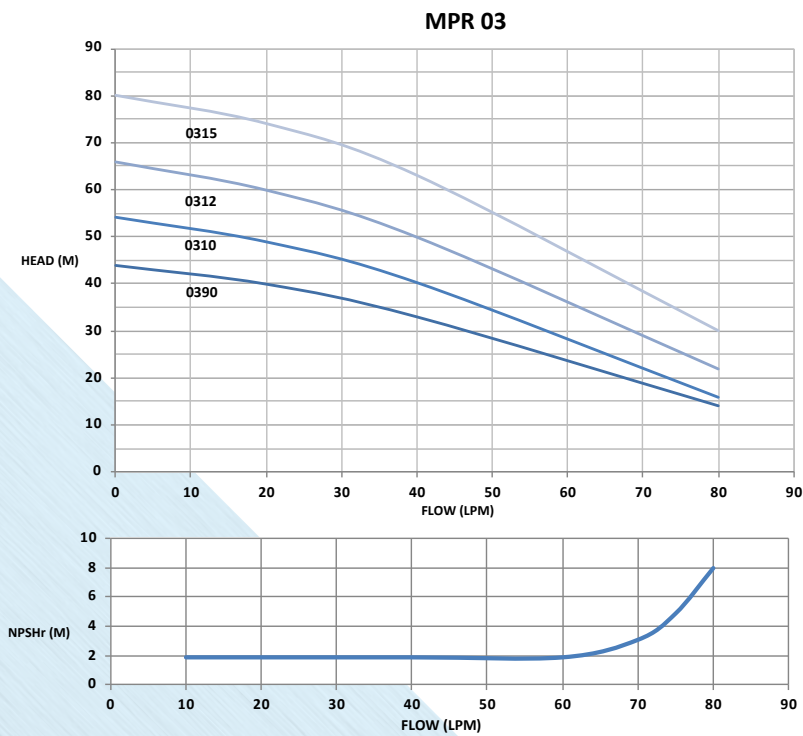


03 Series

DAVIES MULTIPRO 03 SERIES						
Model	HP	KW	INPUT KW	AMPS	PHASE	VOLTS
220-MPR-0309M	0.9	0.66	0.9	4.0	1	230
220-MPR-0310M	1.0	0.75	1.06	4.8	1	230
220-MPR-0312M	1.2	0.9	1.23	5.6	1	230
220-MPR-0312T	1.2	1.1	1.23	5.6	3	230/400
220-MPR-0315M	1.5	1.1	1.54	7.1	1	230
220-MPR-0315T	1.5	1.1	1.45	2.9	3	230/400



Performance Curve



DAVIES MULTIPRO 03 SERIES													
Model	DNA	DNM	A	B	C	D	E	F	G	L	H1	H2	KG
220-MPR-0309M	1"	1"	167	103	333	164	140	178	190	94	128	192	8
220-MPR-0310M	1"	1"	191	127	357	164	140	178	190	94	128	192	9.4
220-MPR-0312M	1"	1"	215	151	404	164	140	178	203	105	128	192	12
220-MPR-0312T	1"	1"	239	175	428	164	140	178	203	105	129	192	12.7
220-MPR-0315M	1"	1"	263	199	483	164	140	201	211	128	134	198	16.1
220-MPR-0315T	1"	1"	263	199	483	164	140	201	211	128	134	198	16.1

05 Series

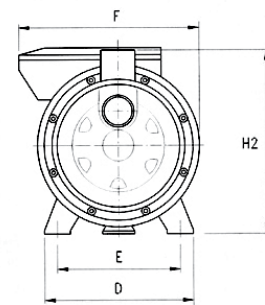
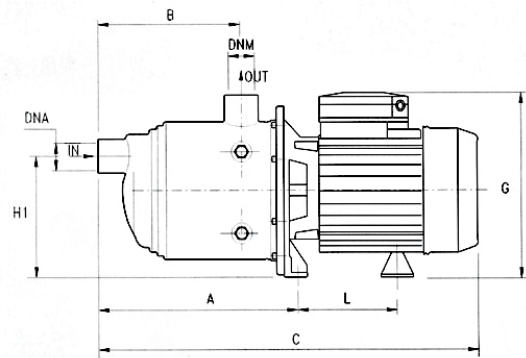
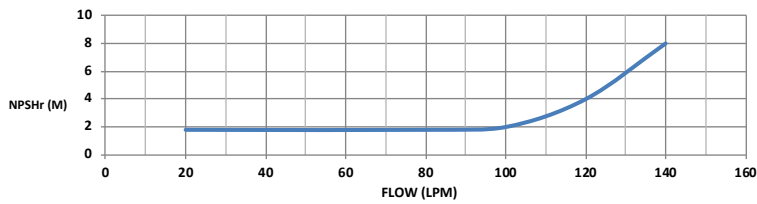
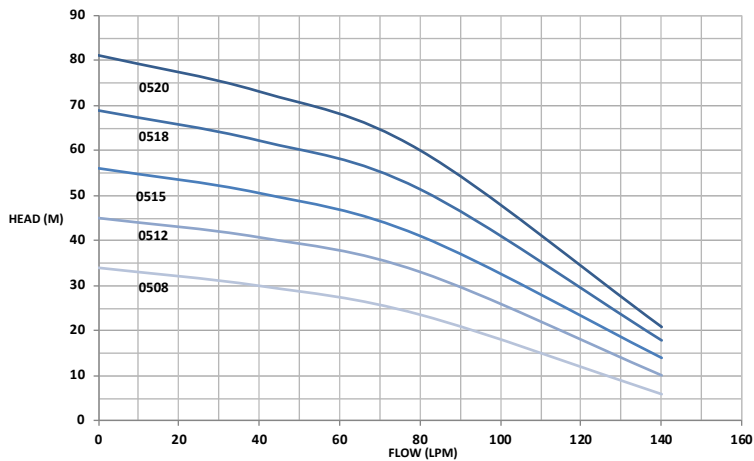
DAVIES MULTIPRO 05 SERIES

Model	HP	KW	INPUT KW	AMPS	PHASE	VOLTS
220-MPR-0508M	0.8	0.6	0.8	3.8	1	230
220-MPR-0512M	1.2	0.9	1.09	4.9	1	230
220-MPR-0512T	1.2	0.9	1.08	2.4	3	230/400
220-MPR-0515M	1.5	1.1	1.39	6.5	1	230
220-MPR-0515T	1.5	1.1	1.39	6.5	3	230/400
220-MPR-0518M	1.8	1.3	1.63	7.3	3	230/400
220-MPR-0520M	2.0	1.5	1.94	8.7	1	230
220-MPR-0520T	2.0	1.5	1.67	3.3	3	230/400



Performance Curve

MPR 05



DAVIES MULTIPRO 05 SERIES

Model	DNA	DNM	A	B	C	D	€	F	G	L	H1	H2	HG
220-MPR-0508	1"	1"	167	103	357	164	140	178	203	94	128	192	10.3
220-MPR-0512	1"	1"	191	127	380	164	140	178	203	104	128	192	12.1
220-MPR-0515	1"	1"	215	151	436	164	140	201	211	128	134	198q	14.9
220-MPR-0518	1"	1"	239	175	459	164	140	201	211	128	134	198	16
220-MPR-0520	1"	1"	263	199	483	164	140	201	211	128	134	198	18.1

07 Series

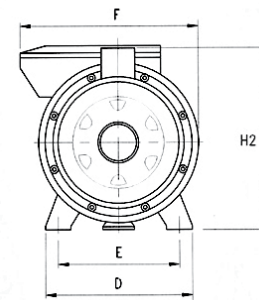
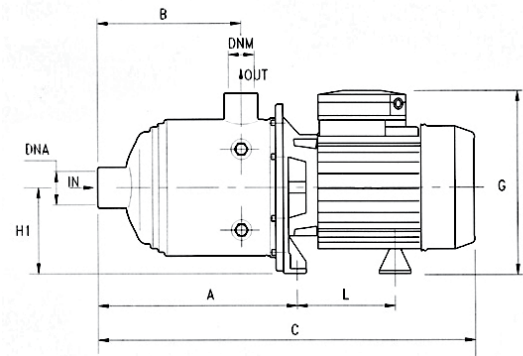
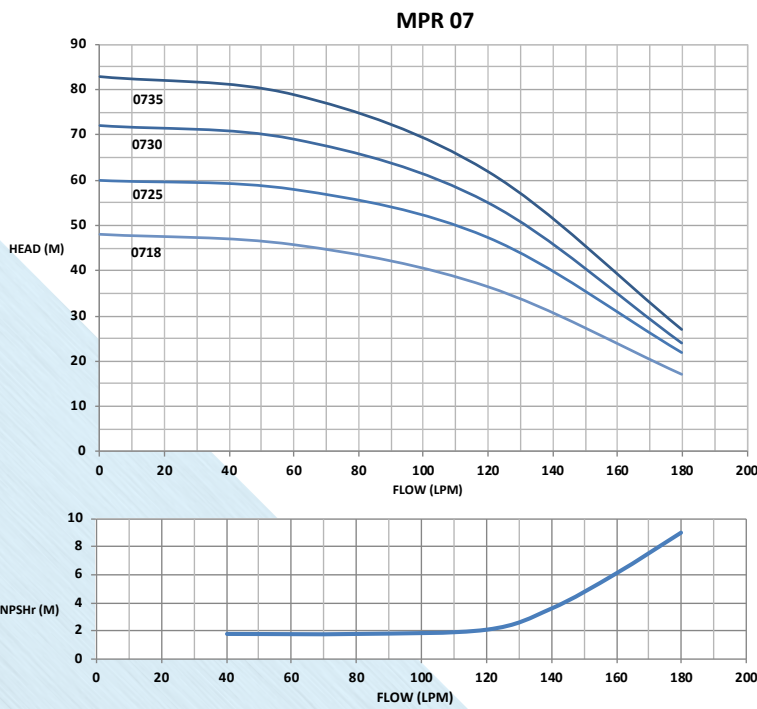


DAVIES MULTIPRO 07 SERIES

Model	HP	KW	INPUT KW	AMPS	PHASE	VOLTS
220-MPR-0718M	1.8	1.3	1.83	8.3	1	230
220-MPR-0718T	1.8	1.3	1.71	3.2	3	230/400
220-MPR-0725M	2.5	1.85	2.39	10.9	1	230
220-MPR-0725T	2.5	1.85	2.15	4.2	3	230/400
220-MPR-0730M	3.0	2.2	2.68	12.2	1	230
220-MPR-0730T	3.0	2.2	2.63	5.0	3	230/400
220-MPR-0735T	3.5	2.57	3.04	5.5	3	230/400



Performance Curve



DAVIES MULTIPRO 07 SERIES

Model	DNA	DNM	A	B	C	D	E	F	G	L	H1	H2	HG
220-MPR-0718	1" 1/2	1" 1/4	191	127	411	164	140	201	211	128	98	198	15
220-MPR-0725	1" 1/2	1" 1/4	215	151	436	164	140	201	211	128	98	198	17
220-MPR-0730	1" 1/2	1" 1/4	239	175	503	164	140	201	229	148	98	198	20
220-MPR-0735	1" 1/2	1" 1/4	263	199	527	164	140	201	229	148	92	203	20.7

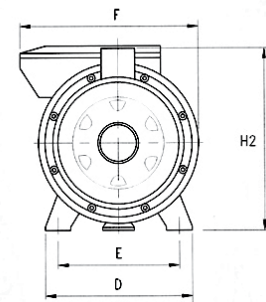
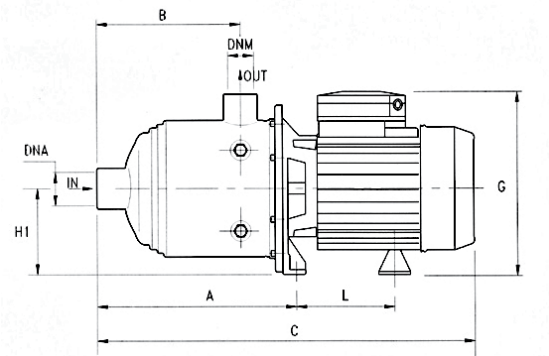
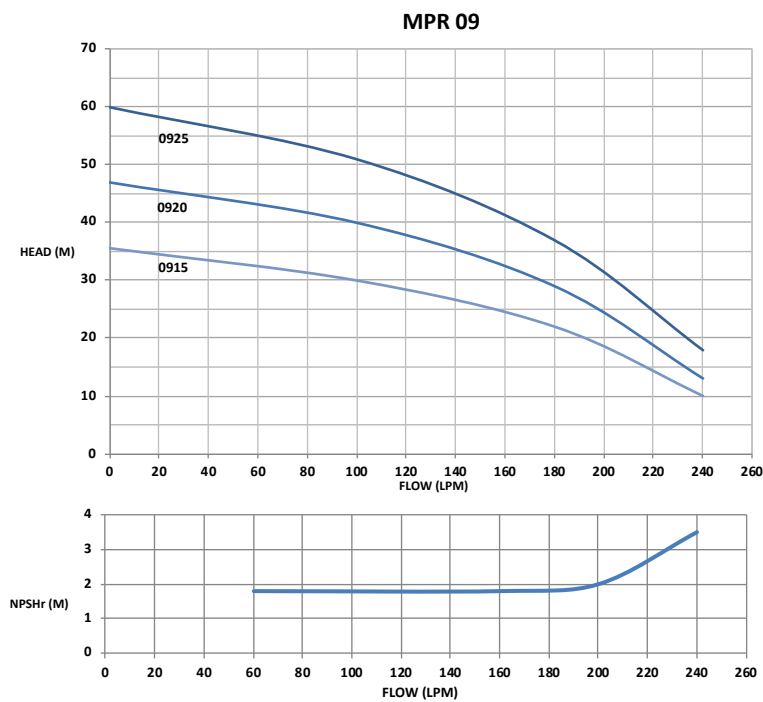
09 Series



DAVIES MULTIPRO 09 SERIES						
Model	HP	KW	INPUT KW	AMPS	PHASE	VOLTS
220-MPR-0915M	1.5	1.1	1.47	6.8	1	230
220-MPR-0915T	1.5	1.1	1.4	2.8	3	230/400
220-MPR-0920M	2.0	1.5	1.88	8.4	1	230
220-MPR-0920T	2.0	1.5	1.77	3.3	3	230/400
220-MPR-0925M	2.5	1.85	2.36	10.8	1	230
220-MPR-0925T	2.5	1.85	2.23	4.3	3	230/400

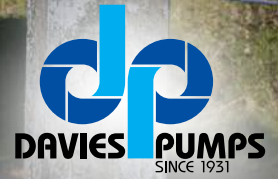


Performance Curve



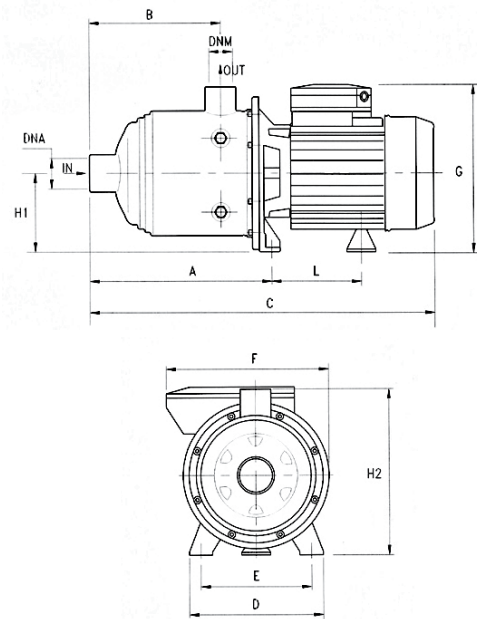
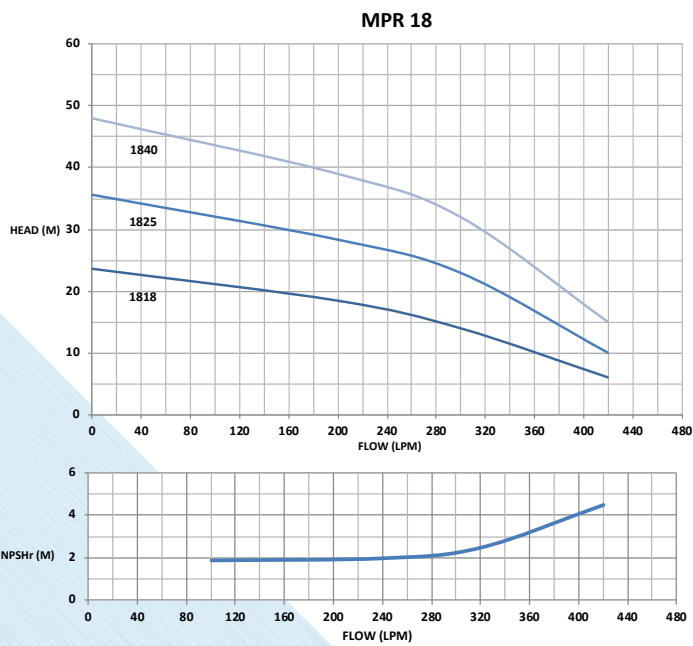
DAVIES MULTIPRO 09 SERIES													
Model	DNA	DNM	A	B	C	D	€	F	G	L	H1	H2	HG
220-MPR-0915	1" 1/2	1" 1/4	186	118	375	164	140	201	211	128	98	198	14.2
220-MPR-0920	1" 1/2	1" 1/4	216	148	436	164	140	201	211	128	98	198	16.8
220-MPR-0925	1" 1/2	1" 1/4	246	178	464	164	140	201	211	128	98	198	17.7

18S Series



DAVIES MULTIPRO 18 SERIES						
Model	HP	KW	INPUT KW	AMPS	PHASE	VOLTS
220-MPR-1818T	1.8	1.3	1.59	3.0	3	230/400
220-MPR-1825T	2.5	1.85	2.29	4.4	3	230/400
220-MPR-1840T	4.0	3.0	3.11	5.7	3	230/400

Performance Curve



DAVIES MULTIPRO 18 SERIES													
Model	DNA	DNM	A	B	C	D	E	F	G	L	H1	H2	KG
MultiPro 18S-180/2	2"	1" 1/2	201	141	432	164	140	201	211	128	98	198	14
MultiPro 18S-250/3	2"	1" 1/2	238	141	432	164	140	201	211	128	98	198	15.8
MultiPro 18S-400/4	2"	1" 1/2	276	178	514	164	140	201	229	148	103	203	22.6

For your nearest dealer please contact Argon Distributors: 0508 634 341

While every endeavor has been made to publish the correct details, no responsibility will be taken for errors, omissions or changes in product specifications. Davies pumps and the 'dp' logo are registered trademarks of Argon Distributors.