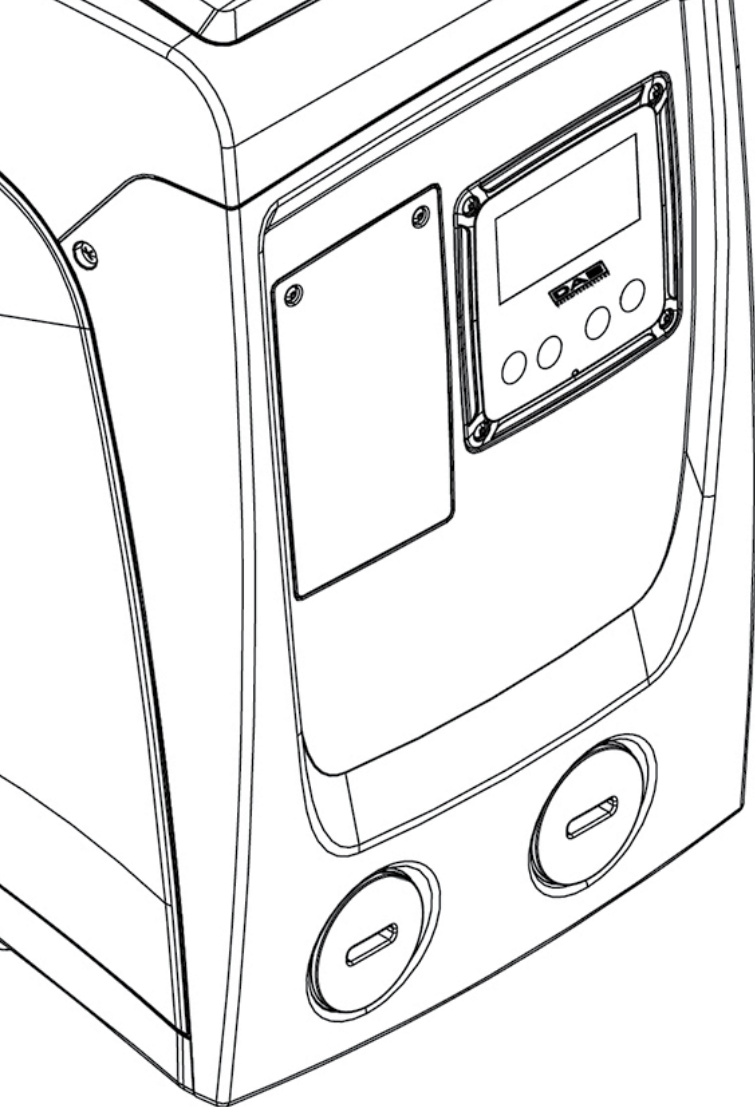


INDEX

Key	41		
Warnings	41		
Responsibility	42		
1. General	42		
1.1 Description of the Integrated Inverter	43		
1.2 Integrated expansion vessel	43		
1.3 Technical characteristics	44		
2. Installation	45		
2.1 Vertical Configuration	45		
2.1.1 Hydraulic connections	46		
2.1.2 Loading operation – Installation above head and below head	46		
2.2 Horizontal Configuration	47		
2.2.1 Hydraulic connections	47		
2.2.2 Orientation of the interface panel	47		
2.2.3 Loading operation – Installation above head and below head	48		
3. Commissioning	49		
3.1 Electrical connections	49		
3.2 Configuration of the integrated inverter	50		
3.3 Priming	50		
4. The keypad and the display	51		
4.1 Direct access with a combination of keys	52		
4.2 Access by name with a drop-down menu	55		
4.3 Structure of the menu pages	55		
4.4 Blocking parameter setting by Password	56		
4.5 Enabling and disabling the motor	56		
5. Meaning of the individual parameters	57		
5.1 User Menu	57		
5.1.1 Status	57		
5.1.2 RS: Rotation speed display	57		
5.1.3 VP: Pressure display	57		
5.1.4 VF: Flow display	57		
5.1.5 PO: Absorbed power display	57		
5.1.6 C1: Phase current display	57		
5.1.7 SV: Supply voltage	57		
5.1.8 SR: Supply range	57		
5.1.9 TE: Dissipator temperature display	57		
5.1.10 PKm: Pressure measured at suction	57		
5.1.11 Operating hours and number of starts	57		
5.1.12 PI: Power histogram	57		
5.1.13 Output flow meter	58		
5.1.14 VE: Version display	58		
5.1.15 FF: Fault log display	58		
5.2 Monitor Menu	58		
5.2.1 CT: Display contrast	58		
5.2.2 BK: Display brightness	58		
5.2.3 TK: Backlight switch-on time	58		
5.2.4 LA: Language	58		
5.2.5 TE: Dissipator temperature display	58		
5.3 Setpoint Menu	58		
5.3.1 SP: Setting the setpoint pressure	59		
5.4 Manual Menu	59		
5.4.1 Status	59		
5.4.2 RI: Speed setting	59		
5.4.3 VP: Pressure display	59		
5.4.4 VF: Flow display	59		
5.4.5 PO: Absorbed power display	59		
5.4.6 C1: Phase current display	59		
5.4.7 RS: Rotation speed display	59		
5.4.8 SV: Tuppy voltage	60		
5.4.9 SR: Supply range	60		
5.4.10 TE: Dissipator temperature display	60		
5.5 Installer Menu	60		
5.5.1 RP: Setting the pressure fall to restart	60		
5.5.2 OD: Type of plant	60		
5.5.3 MS: Measuring system	60		
5.5.4 AS: Association of devices	61		
5.5.5 EK: Setting the low pressure function on suction	61		
5.5.6 PK: Low pressure threshold on suction	61		
5.5.7 T1: Low pressure delay (function detecting low pressure on suction)	61		
5.6 Technical Assistance Menu	62		
5.6.1 TB: Water lack blockage time	62		
5.6.2 T2: Delay in switching off	62		
5.6.3 GP: Proportional gain coefficient	62		
5.6.4 GI: Integral gain coefficient	62		
5.6.5 RM: Maximum speed	62		
5.6.6 AY: Anti Cycling	62		
5.6.7 AE: Enabling the anti-block function	62		
5.6.8 AF: Enabling the anti-freeze function	62		
5.7 Setting low pressure detection on suction	62		
5.8 RF: Fault and warning reset	63		
5.8.1 PW: Change password	63		
6. Protection systems	63		
6.1 Description of blockages	64		
6.1.1 "BL" Anti Dry-Run (Protection against dry running)	64		

6.1.2 "Anti-Cycling (Protection against continuous cycles without utility request)	64
6.1.3 "Anti-Freeze (Protection against freezing of water in the system)	64
6.1.4 "BP1" Blockage due to fault of the delivery pressure sensor	65
6.1.5 "BP2" Blockage due to fault of the suction pressure sensor	65
6.1.6 "PB" Blockage due to supply voltage outside specifications	65
6.1.7 "SC" Blockage due to short circuit between the motor phases	65
6.2 Manual reset of error conditions	65
6.3 Self-reset of error conditions	65
7. Reset and factory settings	66
7.1 General system reset	66
7.2 Factory settings	66
7.3 Restoring the factory settings	66
8. Particular installations	67
8.1 Inhibiting self-priming	67
8.2 Wall installation	68
9. Maintenance	68
9.1 Accessory tool	68
9.2 Emptying the system	68
9.3 Non-return valve	69
9.4 Motor shaft	69
9.5 Expansion Vessel	70
10. Troubleshooting	70
11. Updating the firmware	72
12. Disposal	72
13. Guarantee	72



KEY

The following symbols have been used in the discussion:



SITUATION OF GENERAL DANGER. Failure to respect the instructions that follow may cause harm to persons and property.



SITUATION OF ELECTRIC SHOCK HAZARD. Failure to respect the instructions that follow may cause a situation of grave risk for personal safety.



Notes and general information.

WARNINGS

This manual refers to e.sybox mini³.



Read this documentation carefully before installation. Installation and operation must comply with the local safety regulations in force in the country in which the product is installed. Everything must be done in a workmanlike manner.

Failure to respect the safety regulations not only causes risk to personal safety and damage to the equipment, but invalidates every right to assistance under guarantee.



The products dealt with in this discussion fall within the type of professional equipment and belong to insulation class 1.

Skilled personnel



The electrical and hydraulic connections may only be carried out by skilled personnel in possession of the technical qualifications required by the safety regulations in force in the country in which the product is installed.

The term skilled personnel means persons whose training, experience and instruction, as well as their knowledge of the respective standards and requirements for accident prevention and working conditions, have been approved by the person in charge of plant safety, authorizing them to perform all the necessary activities, during which they are able to recognize and avoid all dangers. (Definition for technical personnel IEC 364).



It is the responsibility of the installer to make sure that the power supply system is equipped with an efficient grounding system according to the regulations in force.



To improve immunity to possible noise radiating to other equipment, it is advisable to use separate wiring to power the inverter.



The appliance may be used by children over 8 years old and by persons with reduced physical, sensory or mental capacities, or who lack experience or knowledge, on condition that they are under supervision or after they have received instructions concerning the safe use of the appliance and the understanding of the dangers involved. Children must not play with the appliance. Cleaning and maintenance intended to be carried out by the user must not be performed by children without supervision.



Safety

Use is allowed only if the electric system is in possession of safety precautions in accordance with the regulations in force in the country where the product is installed (for Italy CEI 64/2).



Pumped liquids

The machine has been designed and made for pumping water, free from explosive substances and solid particles or fibres, with a density of 1000 Kg/m³, a kinematic viscosity of 1mm²/s and non chemically aggressive liquids.



The power supply cable must never be used to carry or shift the pump.



Never pull on the cable to detach the plug from the socket.



If the power cable is damaged, it must be replaced by the manufacturer or by their authorised technical assistance service, so as to avoid any risk.

Failure to observe the warnings may create situations of risk for persons or property and will void the product guarantee.

RESPONSIBILITY



The Manufacturer does not vouch for correct operation of the electropumps or answer for any damage that they may cause if they have been tampered with, modified and/or run outside the recommended work range or in contrast with other indications given in this manual.

The Manufacturer declines all responsibility for possible errors in this instructions manual, if due to misprints or errors in copying. The Manufacturer reserves the right to make any modifications to products that it may consider necessary or useful, without affecting their essential characteristics.

1- GENERAL

The product is an integrated system composed mainly of a self-priming multi-stage centrifugal electropump, an electronic circuit that controls it and an expansion vessel. Cooling of the motor with water rather than air ensures less noise in the system and the possibility of locating it even in recesses without ventilation.

Applications

Water systems supply and pressure boosting domestic use or industrial use. On the outside the product appears as a parallelepiped that presents 6 faces as shown in Fig.1.

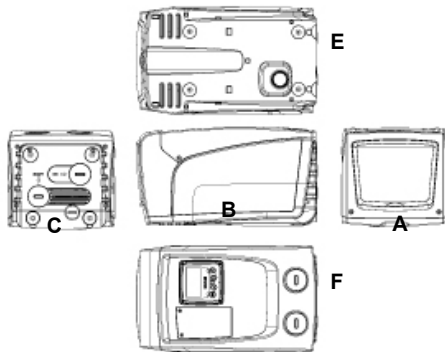


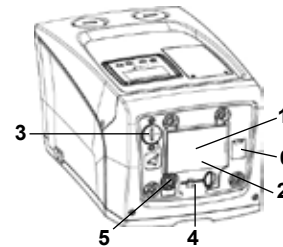
Figure 1

Face A: a door allows access to the Technical Compartment.



Figure 2

Inside the technical compartment you can access (see Fig.3):



1. Rapid Guide;
2. Technical data plate;
3. Filling cap (only for vertical configuration);
4. Accessory tool;
5. Motor shaft;
6. QR-code

Figure 3

Face B: A rubber cable gland allows the exit of the power cable to be connected to the power mains.

Face C: the 4 brass threads form the seat for the 4 support feet in the case of vertical installation. The two 1" screw caps can be removed to make the connections towards the system, depending on the installation configuration you want to adopt. If applicable, connect to the connection marked "IN" the system from which you want to draw water (well, cistern,...) and connect the delivery system to the connection marked "OUT". There is also a ventilation grid. The 3/8" cap allows drainage of the system in the case of horizontal installation. There is also a ventilation grid.

Face E: the 4 brass threads form the seat for the 4 support feet in the case of horizontal installation. The main function of the 1" cap is drainage of the system in the case of vertical installation. There are also 2 ventilation grids.

Face F: as indicated by the label to be removed, the 1" cap next to the word "IN" on face C has a dual function: in the case of horizontal installation, the outlet that is closed by the cap acts as the system's loading door (see below "loading operations", par. 2.2.3); in the case of vertical installation, the same outlet can act as the input hydraulic connection (exactly like the one marked "IN" on face C and as an alternative to it). The other 1" cap gives access to a second delivery connection that can be used at the same time as or alternatively to the one indicated with "OUT" on face C. The user interface panel is composed of a display and a keyboard and its function is to set the system, query its status and communicate any alarms. The door closed by 2 screws gives access to a special maintenance compartment: cleaning of the non-return valve and resetting of the tank preload pressure.

The system can be installed in 2 different configurations: horizontal (Fig.4) or vertical (Fig.5).

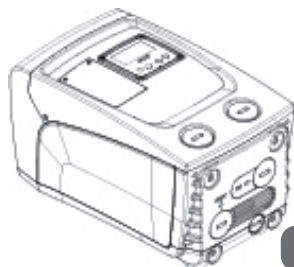


Figure 4



Figure 5

1.1 Description of the Integrated Inverter

The electronic control integrated in the system is of the type with inverter and it makes use of flow, pressure and temperature sensors, also integrated in the system.

By means of these sensors the system switches on and off automatically according to the utility's needs and it is able to detect conditions of malfunction, to prevent and indicate them.

The Inverter control ensures different functions, the most important of which, for pumping systems, are the maintaining of a constant pressure value in delivery and energy saving.

- The inverter is able to keep the pressure of a hydraulic circuit constant by varying the rotation speed of the electropump. In operation without an inverter the electropump is unable to modulate and, when there is an increase of the request for flow, the pressure necessarily decreases, or vice versa; this means the pressures are too high at low flow rates or too low when there is an increased request for flow.
- By varying the rotation speed according to the instantaneous request of the utility, the inverter limits the power supplied to the electropump to the minimum necessary to ensure that the request is satisfied. Instead, operation without an inverter contemplates operation of the electropump always and only at maximum power.

For the configuration of the parameters see chapters 4-5.

1.2 Integrated Expansion Vessel

The system is complete with an integrated expansion vessel with a total capacity of 1 litres. The main functions of the expansion vessel are:

- to make the system elastic so as to protect it against water hammer;
- to ensure a water reserve which, in the case of small leaks, maintains the pressure in the system for a longer time and spreads out needless restarts of the system which otherwise would be continuous;
- when the utility is turned on, ensure the water pressure for the seconds that the system takes to switch on and reach the correct rotation speed.

It is not a function of the integrated expansion vessel to ensure a water reserve such as to reduce interventions of the system (requests from the utility, not from a leak in the system). It is possible to add an expansion vessel with the capacity you prefer to the system, connecting it to a point on the delivery system (not a suction point!). In the case of horizontal installation it is possible to connect to the unused delivery outlet. When choosing the tank, consider that the quantity of water released will also depend on the parameters SP and RP that can be set on the system (par. 4-5).

The expansion vessel is preloaded with pressurised air through the valve accessible from the special maintenance compartment (Fig.1, Face F). The preload value with which the expansion vessel is supplied by the manufacturer is in agreement with the parameters SP and RP set as default, and anyway it satisfies the following equation:

Pair = SP – RP – 0.7 bar Where:

- Pair = air pressure value in bar
- SP = Set Point (par. 5.3.1) in bar
- RP = Reduction of pressure to restart (par. 5.5.1) in bar

So, by the manufacturer: Pair = 3.0 – 0.3 – 0.7 = 2.0 bar

If different values are set for the parameters SP and/or RP, regulate the valve of the expansion vessel releasing or letting in air until the above equation is satisfied again (e.g.: SP=2.0bar; RP=0.3bar; release air from the expansion vessel until a pressure of 1.0 bar is reached on the valve).



Failure to respect the above equation may lead to malfunctions of the system or to premature breakage of the diaphragm inside the expansion vessel.



Considering the expansion vessel capacity of only 1 litres, any operation to check the air pressure must be performed by connecting the pressure gauge very rapidly: on small volumes the loss of even a limited quantity of air can cause an appreciable drop in pressure. The quality of the expansion vessel ensures the maintenance of the set air pressure value, proceed to check it only at calibration or if you are sure of a malfunction.



Any operation to check and/or reset the air pressure must be performed with the delivery system not under pressure: disconnect the pump from the power supply and open the utility nearest to the pump, keeping it open until it no longer gives any water.



The special structure of the expansion vessel ensures its quantity and duration over time, especially of the diaphragm which is typically the component subject to wear for items of this type. However, in the case of breakage, the entire expansion vessel must be replaced and exclusively by authorised personnel.

1.3 Technical characteristics

Topic	Parameter	e.sybox mini ³		
ELECTRIC POWER SUPPLY	Voltage*	1x220-240 V	1x230 V	1x110-127 V
	Frequency	50/60 Hz		
	Maximum power	850 W		
	Leakage current to earth	<2 mA		
STRUCTURAL CHARACTERISTICS	Overall dimensions	445x262x242 mm without feet support		
	Empty weight (excluding packaging)	14 kg / 30.8 lb		
	Protection class	IP x4		
	Insulation class of the motor	F		
HYDRAULIC PERFORMANCE	Maximum head	55 m / 180 ft		
	Maximum flow rate	80 l/min / 21 U.S. GPM		
	Priming	<5min at 8m / 26 ft		
	Maximum working pressure	7.5 bar / 109 psi		
WORKING CONDITIONS	Max liquid temperature	40 °C / 104 °F		
	Max environment temperature	50 °C / 122 °F		
	Environment temperature of storage	-10÷60 °C / 14÷140 °F		

FUNCTIONALITY AND PROTECTIONS	Constant pressure
	Protection against dry running
	Antifreeze protection
	Anticycling protection
	Motor overload protection
	Protection against abnormal supply voltages
	Protection against excess temperature
*: refer to the technical plate on the pump	

2- INSTALLATION



The system is designed for indoor use: do not install the system outdoors and/or directly exposed to atmospheric agents.



The system is designed to be able to work in environments where the temperature remains between 1°C and 50°C (on condition that the electric power supply is ensured: see par. 5.6.8 “anti-freeze function”).



The system is suitable for treating drinking water.



The system cannot be used to pump salt water, sewage, inflammable, corrosive or explosive liquids (e.g. petroleum, petrol, thinners), greases, oils or food products.



The system can suck up water with a level that does not exceed the depth of 8 m (the height between the water level and the pump suction mouth).



If the system is used for the domestic water supply, respect the local regulations of the authorities responsible for the management of water resources.



When choosing the installation site, check that:

- The voltage and frequency on the pump's technical data plate correspond to the values of the power supply system.

- The electrical connection is made in a dry place, far from any possible flooding.
- The earth system must comply with the regulations.

If you are not sure of the absence of foreign bodies in the water to be pumped, install a filter on the system intake that is suitable for catching impurities.



The installation of a filter on intake causes a decrease of the system's hydraulic performance proportional to the loss of load caused by the filter itself (generally the greater the filtering power, the greater the fall in performance).

Choose the type of configuration you intend to use (vertical or horizontal) considering the connections to the system, the position of the user interface panel, and the spaces available according to the indications below. Wall installation is possible, see par. 8.2.

2.1 - Vertical Configuration

Screw the 4 rubber feet supplied loose in the package into the brass seats in face C. Put the system in place, taking into account the dimensions in Fig.6.

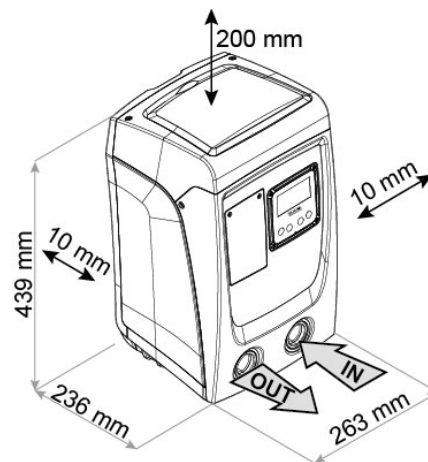


Figure 6

- The distance of at least 10mm between Face E of the system and any wall is obligatory to ensure ventilation through the grids provided • If you expect to have to drain the system from its discharge door and not from the system, leave a further distance sufficient to manoeuvre the drainage cap.
- The distance of at least 10mm between Face B of the system and an obstruction is obligatory to let out the power supply cable to the mains socket.
- The distance of at least 200mm between Face A of the system and an obstruction is recommended so as to be able to remove the door and gain access to the technical compartment.

If the surface is not flat, unscrew the foot that is not touching and adjust its height until it contacts the surface so as to ensure the stability of the system. The system must in fact be placed in a safe and stable position, ensuring that its axis is vertical: it must not be in an inclined position.

2.1.1 Hydraulic connections

Make the connection at input to the system through the mouth on Face F marked "IN" in Fig.6 (suction connection). Then remove the cap using a screwdriver. Make the connection at output from the system through the mouth on Face F marked "OUT" in Fig.6 (delivery connection). Then remove the cap using a screwdriver.

All the hydraulic connections of the system to the plant to which it can be connected are of the threaded female type 1" GAS, made of brass.



If you intend to connect the product to the plant with fittings that have a diameter larger than the normal 1" pipe (for example the ring nut in the case of fittings in 3 pieces), make sure that the 1" Gas male thread of the coupling protrudes at least 25mm from the above diameter (see Fig.7).



Figure 7



The brass threads are housed in technopolymer seats. When making the connection watertight by adding material (e.g. Teflon, hemp,...) ensure that the gasket is not too thick: under the action of an adequate tightening torque (e.g. long handled pipe wrench), the excess material could exert abnormal force on the technopolymer seat, damaging it irremediably.

With reference to its position with respect to the water to be pumped, the installation of the system may be defined "above head" or "below head". In particular the installation is defined "above head" when the pump is placed at a level higher than the water to be pumped (e.g. pump on the surface and water in a well); vice versa it is "below head" when the pump is placed at a level lower than the water to be pumped (e.g. overhead cistern and pump below).



If the vertical installation of the system is of the "over head" type, it is recommended to fit a non-return valve in the suction section of the system; this is to allow the operation of loading the system (par. 2.1.2).



If the installation is of the "over head" type, install the suction pipe from the water source to the pump in such a way as to avoid the formation of goosenecks or siphons. Do not place the suction pipe above the pump level (to avoid the formation of air bubbles in the suction pipe). The suction pipe must draw at its entrance at a depth of at least 30cm below the water level and must be watertight along its whole length, as far as the entrance to the electropump.



The suction and delivery pipes must be fitted so that they do not exert any mechanical pressure on the pump.

2.1.2>Loading Operation

Installation above head and below head

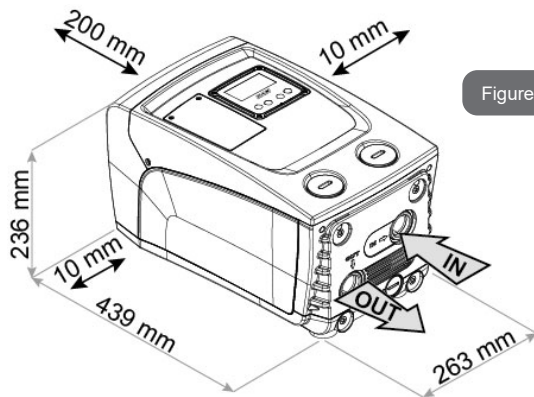
Installation "above head" (par. 2.1.1): access the technical compartment and, using a screwdriver, remove the filling cap (Fig.3 point 6). Fill the system with clean water through the loading door, taking care to let the air out. If the non-return valve on the suction pipe (recommended in paragraph

2.1.1) has been placed close to the system entry door, the quantity of water with which to fill the system should be 0,9 litres. It is recommended to fit the non-return valve at the end of the suction pipe (foot valve) so as to be able to fill it quickly too during the loading operation. In this case the quantity of water necessary for the loading operation will depend on the length of the suction pipe (0,9 litres + ...).

Installation “below head” (par. 2.1.1): if there are no check valves between the water deposit and the system (or if they are open), it loads automatically as soon as it is allowed to let out the trapped air. So slackening the filling cap (Fig.3_point 6) enough to vent the trapped air allows the system to load completely. You must survey the operation and close the loading door as soon as the water comes out (however it is recommended to fit a check valve in the section of the suction pipe and to use it to control the loading operation with the cap open). Alternatively, in the case where the suction pipe is intercepted by a closed valve, the loading operation may be carried out in a similar way to the one described for installation over head.

2.2 - Horizontal Configuration

Screw the 4 rubber feet supplied loose in the package into the brass seats in face E. Put the system in place, taking into account the dimensions in Fig.8.



- The distance of at least 10mm between Face B of the system and an obstruction is obligatory to let out the power supply cable to the mains socket.
- The distance of at least 200mm between Face A of the system and an obstruction is recommended so as to be able to remove the door and gain access to the technical compartment.

If the surface is not flat, unscrew the foot that is not touching and adjust its height until it contacts the surface so as to ensure the stability of the system. The system must in fact be placed in a safe and stable position, ensuring that its axis is vertical: it must not be in an inclined position.

2.2.1 Hydraulic connections

Make the connection at input to the system through the mouth on Face C marked “IN” in Fig. 8 (suction connection). Then remove the cap using a screwdriver. Make the connection at output from the system through the mouth on Face C marked “OUT 1” in Fig. 8 and/or through the mouth on Face F marked “OUT 2” in Fig. 8 (delivery connection).

In this configuration either of the 2 mouths can be used as an alternative to the other (depending on the convenience of the installation), or simultaneously (dual delivery system). Then remove the cap(s) from the door(s) you intend to use with a screwdriver.

All the hydraulic connections of the system to the plant to which it can be connected are of the threaded female type 1” GAS, made of brass.



See WARNING for Figure 7.

2.2.2 Orientation of the Interface Panel

The Interface Panel has been designed so that it can be oriented in the direction where it is most convenient for the user to read: its square shape allows it to be rotated from 90° to 90° (Fig.9).

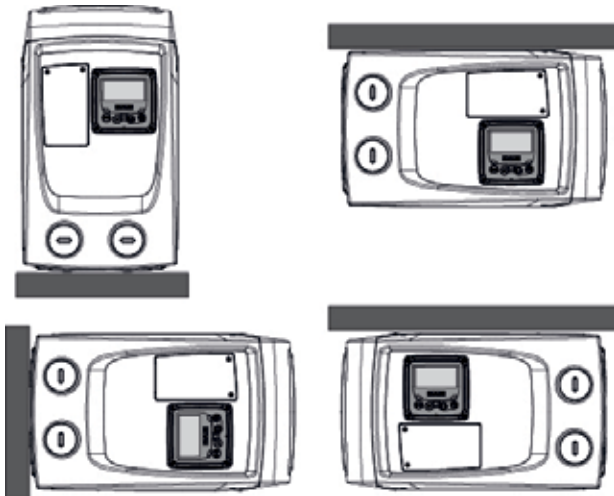


Figure 9

- Disengage the 4 screws at the corners of the panel using the accessory tool.
- Do not remove the screws completely, just disengage them from the thread on the product body.
- Be careful not to drop the screws into the system.
- Move the panel away, taking care not to pull on the signal transmission cable.
- Reposition the panel in its seat at the preferred angle taking care not to pinch the cable.
- Tighten the 4 screws with the wrench.

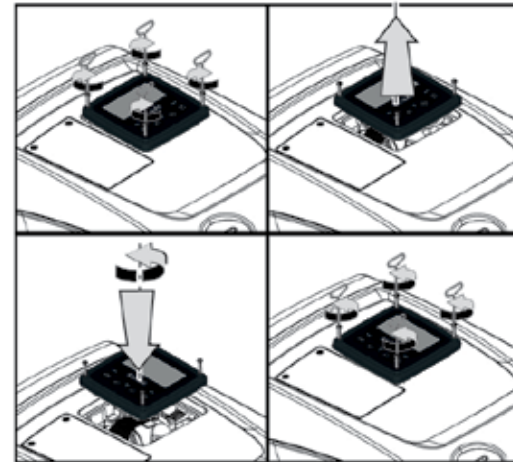


Figure 10

2.2.3 Loading Operation Installation above head and below head

With reference to its position with respect to the water to be pumped, the installation of the system may be defined “above head” or “below head”. In particular the installation is defined “above head” when the pump is placed at a level higher than the water to be pumped (e.g. pump on the surface and water in a well); vice versa it is “below head” when the pump is placed at a level lower than the water to be pumped (e.g. overhead cistern and pump below).

Installation “above head”: with a screwdriver, remove the filling cap which, for the horizontal configuration, is the one on Face F (Fig.1). Fill the system with clean water through the loading door, taking care to let the air out: to ensure optimum filling it is convenient to open also the loading door on Face A (Fig.1), used for filling in the vertical configuration, so as to let all the air out, which otherwise could remain trapped in the system; take care to close the openings correctly once the operation is completed. The quantity of water with which to fill the system must be at least 0,7 litri almenno. litres. It is recommended to fit a non-return valve at the end of the suction pipe (foot valve) so

as to be able to fill it quickly too during the loading operation. In this case the quantity of water necessary for the loading operation will depend on the length of the suction pipe (0,7 litres + ...).

Installation "below head": if there are no check valves between the water deposit and the system (or if they are open), it loads automatically as soon as it is allowed to let out the trapped air. So slackening the filling cap (Face F - Fig.1) enough to vent the air allows the system to load completely. You must survey the operation and close the loading door as soon as the water comes out (however it is recommended to fit a check valve in the section of the suction pipe and to use it to control the loading operation with the cap loose). Alternatively, in the case where the suction pipe is intercepted by a closed valve, the loading operation may be carried out in a similar way to the one described for installation over head.

3 - COMMISSIONING



The suction depth must not exceed 8 m.

3.1 - Electrical Connections

To improve immunity to the possible noise radiated towards other appliances it is recommended to use a separate electrical duct to supply the product.



The line voltage may change when the electropump is started. The line voltage may undergo variations depending on other devices connected to it and on the quality of the line.



It is recommended to carry out installation as indicated in the manual, in compliance with the laws, directives and standards in force in the place of use and depending on the application. The product contains an inverter inside which there are continuous voltages and currents with high-frequency components (see table 0).

Type of possible fault currents to earth				
	Alternating	Unipolar pulsed	Direct	With high-frequency components
Inverter with single-phase power supply	X	X		X

Table 0

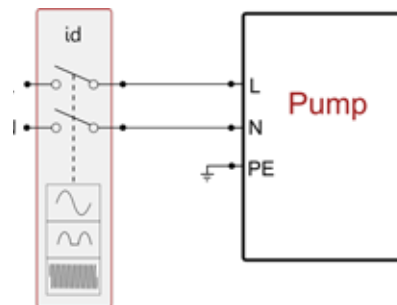


Figure 11 - bis Installation example

The thermal magnetic circuit breaker must be correctly sized (see Electrical Characteristics).

For pumps not supplied with a plug, the correspondence of the colours of the leads is as indicated in table 0bis:

Connection	Type A	Type B
Phase	Brown	Brown
Neutral	Blue	Blue
Earth (EP)	Yellow/Green	Green
Type A: European markets or similar. Type B: American and Canadian markets or similar.		

Table 0 bis

The appliance must be connected to a main switch that cuts off all the power supply poles. When the switch is in off position, the distance separating each contact must respect the indications in table 0tris.

Minimum distance between the contacts of the power switch		
Power supply [V]	≤127	>127 e ≤240
Minimum distance [mm]	>1,7	>3

Table 0 tris

3.2 Configuration of the Integrated Inverter

The system is configured by the manufacturer to satisfy most installation cases operating at constant pressure. The main parameters set in the factory are:

- Set-Point (desired value of constant pressure); SP = 2.7 bar / 39 psi.
- Reduction of pressure to restart RP = 0.3 bar / 4.3 psi.
- Anti-cycling function: Disabled.

However, these parameters and others can be set by the user according to the system. See par. 5-6-7 for the specifications.



For the definition of the parameters SP and RP, the pressure at which the system starts has the value:

Pstart = SP – RP For example: 2.7 – 0.3 = 2.4 bar in the default configuration

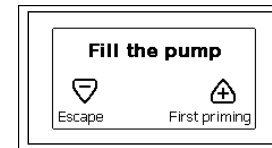
The system does not work if the utility is at a height higher than the equivalent in metres of water column of the Pstart (consider 1 bar = 10 m water column): for the default configuration, if the utility is at a height of at least 27m the system does not start.

3.3 - Priming

The priming of a pump is the phase during which the machine attempts to fill the body and the suction pipe with water. If the operation is successful the machine can work regularly.

Once the pump has been filled (par. 2.1.2, 2.2.3) and the device has been configured (par. 3.2), it is possible to connect the electric power supply after having opened at least one utility on delivery for the first 10 seconds. If a flow of water is detected in delivery, the pump is primed and starts its regular work. This is the typical case of installation below head (par. 2.1.2, 2.2.3). The utility opened in delivery from which the pumped water is coming out can be closed.

If a regular flow in delivery is not detected after 10 seconds, the system asks for confirmation to enter the priming procedure (typical case of installation above head pa 2.1.2, 2.2.3). Or:



When “+” is pressed the pump enters the priming procedure: it starts working for a maximum time of 5 minutes during which the safety block for dry operation is not tripped. The priming time depends on various parameters, the most influential of which are the depth of the water level from which it is drawing, the diameter of the suction pipe, the water-tightness of the suction pipe. On condition that a suction pipe is used that is no smaller than 1” and that it is well sealed (with no holes or joins from which it can take in air), the product has been studied to manage to prime in water conditions up to 8m

in depth in a time of less than 5 minutes. As soon as the product detects a regular flow in delivery, it leaves the priming procedure and starts its regular work. The utility opened in delivery from which the pumped water is coming out can be closed. If after 5 minutes of the procedure the product is still not primed, the interface display sends a failure message. Disconnect the power supply, load the product adding new water, wait 10 minutes and repeat the procedure from the moment you put the plug in the socket. Press “-” to confirm that you do not want to start the priming procedure. The product remains in alarm status

Operation

Once the electropump is primed, the system starts regular operation according to the configured parameters: it starts automatically when the tap is turned on, supplies water at the set pressure (SP), keeps the pressure constant even when other taps are turned on, stops automatically after time T2 once the switching off conditions are reached (T2 can be set by the user, factory value 10 sec).

4 - THE KEYPAD AND THE DISPLAY



Figure 12: Aspect of the user interface

The user interface is composed of a keypad with 128x240 pixel LCD display and with POWER, COMM, ALARM warning leds as can be seen in Figure 12.

The display shows the values and the statuses of the device, with indications on the functionality of the various parameters.

The functions of the keys are summed up in Table 1.

	The MODE key allows you to move on to the next items in the same menu. Holding it down for at least 1 sec allows you to skip to previous menu item.
	The SET key allows you to leave the current menu.
	Decreases the current parameter (if it is an editable parameter).
	Increases the current parameter (if it is an editable parameter).

Table 1: Key functions

Holding down the “+” key or the “-” key allows the automatic increase/decrease of the parameter selected. After the “+” key or the “-” key has been held down for 3 seconds, the automatic increase/decrease speed increases.



When the + key or the - key is pressed the selected value is modified and saved immediately in the permanent memory (EEPROM). If the machine is switched off, even accidentally, in this phase it does not cause the loss of the parameter that has just been set.

The SET key is only for leaving the current menu and is not necessary for saving the changes made. Only in particular cases described in the following paragraphs are some values updated by pressing "SET" or "MODE".

Warning leds

- Power
White led. Lit with a fixed light when the machine is powered. Blinking when the machine is disabled.
- Alarm
Red led. Lit with a fixed light when the machine is blocked by an error.

Menus

The complete structure of all the menus and of all the items of which they are composed is shown in Table 3.

Access to the menus

The various menus can be accessed from the main menu in two ways:

- 1 - Direct access with a combination of keys.
- 2 - Access by name with a drop-down menu.








4.1 Direct Access with a Combination of Keys

The desired menu can be accessed directly by pressing simultaneously the appropriate combination of keys for the required time (for example MODE SET to enter the Setpoint menu) and the various items in the menu are scrolled with the MODE key.

Table 2 shows the menus that can be reached with the combinations of keys.



MENU NAME	DIRECT ACCESS KEYS	HOLD-DOWN TIME
User		On releasing the button
Monitor		2 Sec
Setpoint		2 Sec
Manual		5 Sec
Installer		5 Sec
Technical assistance		5 Sec
Reset factory values		2 sec after switching on appliance
Reset		2 Sec

Table 2: Access to the menus

<i>Reduced menu (visible)</i>			<i>Extended menu (direct access or password)</i>			
Main Menu	User Menu mode	Monitor Menu set-minus	Setpoint Menu mode-set	Manual Menu set-minus-plus	Installer Menu mode-set-minus	Tech. Assist. Menu mode-set-plus
MAIN (Main Page)	STATUS RS Revs per minute	CT Contrast	SP Setpoint pressure	STATUS RI Speed setting	RP Decrease pressure for restart	TB Block time for water lack.
	VP Pressure					
Menu Selection	VF Display of flow	BK Back lighting		VF Display of flow	OD Type of plant	T2 Delay in switching off
	PO Power absorbed by pump	TK Backlighting switch-on time		PO Power absorbed by pump	MS Measuring system	GP Proportional gain.
	C1 Pump phase current	LA Language		C1 Pump phase current	AS Wireless Devices	GI Integral gain
	SV  Supply voltage	TE Dissipator temperature		RS Revs per minute	EK  Enabling low pressure function on suction	RM Maximum speed
	SR  Supply range			TE Dissipator temperature	PK  Low pressure threshold on suction	AY Anti Cycling
	TE Dissipator temperature			SV  Supply voltage	T1  Low pr. delay	AE Anti-blocking
	PKm Pressure measured at intake			SR  Supply range		AF AntiFreeze
	Hours switched on Working hours Number of starts					

	PI Power histogram					RF Reset faults and warnings
	Output flow meter					PW Modify Password
	VE Information HW e SW					
	FF Fault & Warning (Log)					

Table 3: Menu structure

Key	
	Parameters available in version K.
	Parameters available only in version DV

4.2 - Access by name with a drop-down menu

The selection of the various menus is accessed by name. From the main menu you access menu selection by pressing either of the + or – keys.

The names of the menus that can be accessed appear on the menu selection page and one of the menus is highlighted by a bar (see Figure 13-14). Shift the highlighting bar using the + and – keys to select the menu you want and enter it by pressing MODE.

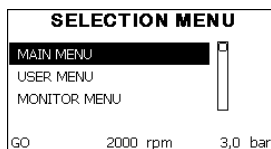


Figure 13: Selection of the drop-down menus

The items available are MAIN, USER, MONITOR, followed by a fourth item, EXTENDED MENU; this item allows the number of menus displayed to be extended. When EXTENDED MENU is selected a pop-up appears asking you to type in an access key (PASSWORD). The access key (PASSWORD) coincides with the combination of keys used for direct access (as in Table 8) and allows the extended display of the menus from the menu corresponding to the access key to all those with a lower priority. The order of the menus is: User, Manual Setpoint, Manual, Installer, Technical Assistance.

When an access key is selected, the menus released remain available for 15 minutes or until they are disabled manually by means of the item "Hide forward menus" which appears on the menu selection when using an access key.

Figure 14 shows an operating diagram for selecting the menus.

The menus are in the centre of the page, from the right you reach them by means of direct selection with a combination of keys, while from the left you reach them by means of the selection system with drop-down menu.

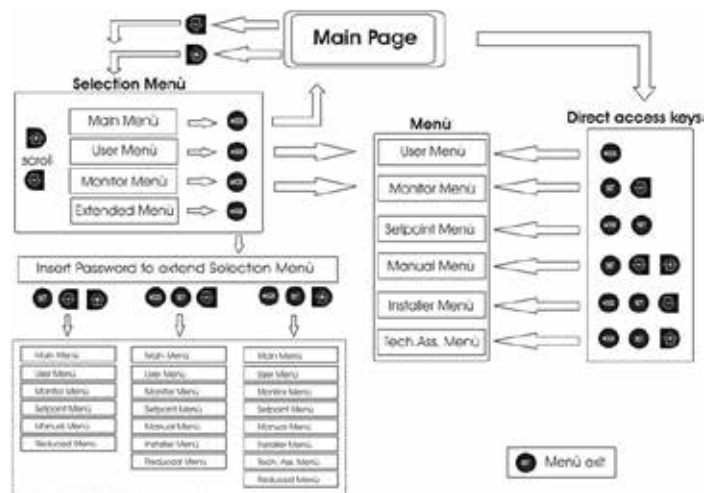


Figure 14: Diagram of possible menu accesses

4.3 - Structure of the menu pages

When switched on, some presentation pages are displayed showing the name of the product and the logo, after which the main menu appears. The name of each menu, whichever it may be, is always at the top of the display.

The following always appear on the main page

Status: operating status (e.g. standby, go, Fault)

Revs per minute: value in [rpm]

Pressure: value in [bar] or [psi] depending on the set unit of measure.

Power: value in [kW] of the power absorbed by the device.

If the case occurs the following may appear:

Fault indications

Warning indications

Specific icons

The error conditions are indicated in Table 8. The other displays are indicated in Table 4.

Error and status conditions displayed	
Identifying code	Description
GO	Motor running
SB	Motor stopped
DIS	Motor status manually disabled
F4	Low suction pressure signal function status / alarm
EE	Writing and reading the factory settings on EEPROM
WARN. Low voltage	Warning due to lack of supply voltage

Table 4: Status and error messages on the main page

The other menu pages vary with the associated functions and are described later by type of indication or setting. Once you have entered any menu, the bottom of the page always shows a summary of the main operating parameters (running status or any fault, current speed and pressure). This allows a constant view of the machine's fundamental parameters.



Figure 15: Display of a menu parameter

Indications on the status bar at the bottom of each page	
Identifying code	Description
GO	Motor stopped
SB	Motor stopped
Disable	Motor status manually disabled
rpm	Motor revs per minute
bar	Plant pressure
FAULT	Presence of an error preventing operation of the electropump

Table 5: Indications on the status bar

The following may appear on the pages that show parameters: numerical values and units of measure of the current item, values of other parameters linked to the setting of the current item, graphic bar, lists; see Figure 15.

4.4 - Blocking parameter setting by Password

The device has a password-enabled protection system. If a password is set, the parameters of the device will be accessible and visible but it will not be possible to change them.

The password management system is in the “technical assistance” menu and is managed by means of the parameter PW.

4.5 - Enabling and disabling the motor

In normal operating conditions, pressing and then releasing both the “+” and “-” keys causes the blocking/release of the motor (self-holding even after switching off). If there is a fault alarm, the operation described above resets the alarm.

When the motor is disabled this status is shown by the blinking white LED. This command can be activated from any menu page except RF and PW.

5 - MEANING OF THE INDIVIDUAL PARAMETERS



The inverter makes the system work at constant pressure. This regulation is appreciated if the hydraulic plant downstream from the system is suitably sized. Plants made with pipes with too small a section introduce load losses that the equipment cannot compensate; the result is that the pressure is constant on the sensors but not on the utility.



Plants that are excessively deformable can create the onset of oscillations; if this occurs, the problem can be solved by adjusting the control parameters "GP" and "GI" (see par 5.6.3 - GP: Proportional gain coefficient and 5.6.4 - GI: Integral gain coefficient)

5.1 - User Menu

From the main menu, pressing the MODE key (or using the selection menu and pressing + o -), gives access to the USER MENU. In the menu the MODE key allows you to scroll through the various menu pages. The values shown are the following.

5.1.1 - Status:

Displays the pump status.

5.1.2 - RS: Rotation speed display

Motor rotation speed in rpm..

5.1.3 - VP: Pressure display

Plant pressure measured in [bar] or [psi] depending on the measuring system used.

5.1.4 - VF: Flow display

Displays the instantaneous flow in [litres/min] or [gal/min] depending on the set measuring system.

5.1.5 - PO: Absorbed power display

Power absorbed by the electropump in [kW].

If the maximum allowed power is exceeded, the identification PO blinks.

5.1.6 - C1: Phase current display

Motor phase current in [A].

If the maximum allowed current is exceeded, the identification C1 blinks, indicating an imminent tripping of the overload protection.

5.1.7 - SV: Supply voltage

Present only in some models.

5.1.8 - SR: Supply range

Present only in some models.

Indicates the range of supply voltage found. It may have the values: [110-127] V or [220-240] V. If the range is not determined, it has the value "- -".

5.1.9 - TE: Dissipator temperature display

5.1.10- PKm: Pressure measured at suction

Present only in models with Kiwa function

5.1.11 - Operating hours and number of starts

Indicates on three lines the hours that the device has been powered up, the pump working hours and the number of starts of the motor.

5.1.12 - PI: Power histogram

A histogram of the power delivered is displayed on 5 vertical bars. The histogram indicates how long the pump has been on at a given power level. On the horizontal axis are the bars at the various power levels; on the vertical axis, the time for which the pump has been on at the specific power level (% of the time with respect to the total).

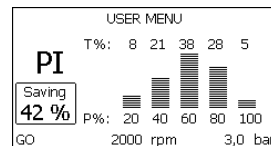


Figure 16: Power histogram display

5.1.13 - Output flow meter

The page shows two flow meters. The first shows the total output flow delivered by the machine. The second shows a partial count and can be reset by the user. The partial count can be reset from this page, by holding down the “-“ button for 2 sec.

5.1.14 - VE: Version display

Hardware and software version with which the appliance is equipped.

Hardware and software 2.7.0 and later, the following also applies: on this page after the prefix S: the last 5 figures of the single serial number attributed for connectivity are showed. The whole serial number can be viewed by pressing the “+“ key.”

5.1.15- FF: Fault log display

Chronological display of the faults that have occurred during system operation.

Under the symbol FF appear two numbers x/y indicating respectively the ault displayed and the total number of faults present; to the right of these numbers is an indication of the type of fault displayed.

The + and – keys scroll through the list of faults: pressing the – key goes back through the log and stops at the oldest fault present, pressing the + key goes forward in the log and stops at the most recent fault.

The faults are displayed in chronological order starting from the one that appeared farthest back in time x=1 to the most recent x=y. The maximum number of faults that can be shown is 64; when that number is reached, the log starts to overwrite the oldest ones.

This item on the menu displays the list of faults, but does not allow reset. Reset can be carried out only with the dedicated control from item RF on the TECHNICAL ASSISTANCE MENU.

The fault log cannot be deleted with a manual reset, by switching off the appliance, or by resetting the factory values, unless the procedure described above has been followed.

5.2 - Monitor Menu

From the main menu, by holding down simultaneously for 2 sec the keys “SET” and “-“ (minus), or using the selection menu and pressing + or -, you can access the MONITOR MENU.

In this menu, by pressing the MODE key, the following values are displayed in sequence.

5.2.1 - CT: Display contrast

Adjusts the display contrast.

5.2.2 - BK: Display brightness

Adjusts the backlighting of the display on a scale from 0 to 100.

5.2.3 - TK: Backlight switch-on time

Sets the time that the backlight is lit since the last time a key was pressed. Values allowed: '0' always off; from 20 sec to 10 min or 'always on'.

When the backlight is off, the first time any key is pressed has the sole effect of restoring the backlighting.

5.2.4 - LA: Language

Display in one of the following languages:

- Italian
- English
- French
- German
- Spanish
- Dutch
- Swedish
- Turkish
- Slovak
- Romanian
- Russian
- Thai

5.2.5 - TE: Dissipator temperature display

5.3 - Setpoint Menu

From the main menu, hold down simultaneously the “MODE” and “SET” keys until “SP” appears on the display (or use the selection menu pressing + or -). The + and – keys allow you respectively to increase and decrease the plant boosting pressure.

Press SET to leave this menu and return to the main menu.

The range of adjustment is 1-5.5 bar (14-80 psi).

5.3.1 - SP: Setting the setpoint pressure

Pressure at which the system is pressurised.



The pump restarting pressure is linked not only to the set pressure SP but also to RP. RP expresses the decrease in pressure, with respect to "SP" caused by the pump starting.

For example: SP = 3,0 [bar]; RP = 0,3 [bar];

During normal operation the system is pressurised at 3.0 [bar].

The electropump restarts when the pressure falls below 2,7 [bar].



Setting a pressure (SP) that is too high for the pump performance may cause false water lack errors BL; in these cases lower the set pressure.

5.4 - Manual Menu



In manual operation, the sum of the input pressure and the maximum pressure that can be supplied must not be greater than 6 bar.

From the main menu, hold down simultaneously the "SET" and "+" and "-" keys until the manual menu page appears (or use the selection menu pressing + or -).

Press SET to leave this menu and return to the main menu.

Entering the manual menu by pressing the SET + - keys puts the machine into forced STOP condition. This function can be used to force the machine to stop.

In the main menu, irrespective of the parameter displayed, it is always possible to perform the following controls:

Temporary starting of the electropump.

Pressing the MODE and + keys at the same time causes the pump to start at speed RI and this running status remains as long as the two keys are held down.

When the pump ON of pump OFF command is given, a communication appears on the display.

Starting the pump

Holding down the MODE - + keys simultaneously for 2 sec. causes the pump to start at speed RI. The running status remains until the SET key is pressed. The next time the SET key is pressed the pump leaves the manual menu.

When the pump ON of pump OFF command is given, a communication appears on the display. In case of operation in this mode for more than 5' with no flow of liquid, an alarm overheating alarm will be triggered, with the error PH shown on the display.

Once the PH error condition is no longer present, the alarm will be reset automatically only. The reset time is 15'; if the PH error occurs more than 6 times consecutively, the reset time increases to 1h. Once it has reset further to this error, the pump will remain in stop status until the user restarts it using the "MODE" "-" "+" keys.

5.4.1 - Status:

Displays the pump status.

5.4.2 - RI: Speed setting

Sets the motor speed in rpm. Allows you to force the number of revolutions at a predetermined value.

5.4.3 - VP: Pressure display

Plant pressure measured in [bar] or [psi] depending on the measuring system used.

5.4.4 - VF: Flow display

Displays the flow in the chosen unit of measure. The measuring unit may be [l/min] o [gal/min] vedi par. 5.5.3 - MS: Measuring system.

5.4.5 - PO: Absorbed power display

Power absorbed by the electropump in [kW].

If the maximum allowed power is exceeded, the identification PO blinks.

5.4.6 - C1: Phase current display

Motor phase current in [A].

If the maximum allowed current is exceeded, the identification C1 blinks, indicating an imminent tripping of the overload protection.

5.4.7 - RS: Rotation speed display

Motor rotation speed in rpm.

5.4.8 - SV: Supply voltage

Present only in some models.

5.4.9 - SR: Supply range

Present only in some models.

Indicates the range of supply voltage found. It may have the values: [110-127] V or [220-240] V. If the range is not determined, it has the value “- -”.

5.4.10 - TE: Dissipator temperature display

5.5 - Installer Menu

From the main menu, hold down simultaneously the “MODE” and “SET” and “-“ keys until the first parameter of the installer menu appears on the display (or use the selection menu pressing + or -). The menu allows you to view and modify various configuration parameters: the MODE key allows you to scroll through the menu pages, the + and - keys allow you respectively to increase and decrease the value of the parameter concerned. Press SET to leave this menu and return to the main menu.

5.5.1 - RP: Setting the pressure fall to restart

Expresses the fall in pressure with respect to the SP value which causes restarting of the pump.

For example if the setpoint pressure is 3.0 [bar] and RP è 0.5 [bar] the pump will restart at 2.5 [bar]. RP can be set from a minimum of 0.1 to a maximum of 1 [bar]. In particular conditions (for example in the case of a setpoint lower than the RP) it may be limited automatically. To assist the user, on the RP setting page the actual restarting pressure also appears highlighted under the RP symbol, see Figure 17.



Figure 17: Setting the restart pressure

5.5.2 - OD: Type of plant

VPossible values 1 and 2 referring to a rigid system and an elastic system. The device leaves the factory with mode 1 suitable for the majority of sys-

tems. In the presence of swings in pressure that cannot be stabilised by adjusting the parameters GI and GP, change to mode 2.

IMPORTANT: The regulating parameters GP and GI also change in the two configurations. In addition the GP and GI values set in mode 1 are stored in a different memory from the GP and GI values set in mode 2. So, for example, when passing to mode 2, the GB value of mode 1 is replaced by the GB value of mode 2 but it is kept and will reappear again when returning to mode 1. The same value shown on the display has a different weight in one mode or in the other because the control algorithm is different..

5.5.3 - MS: Measuring system

Set the measuring system, choosing between metric and Anglo-American units. The quantities displayed are shown in Table 6.

NOTE: The flow in Anglo-American units (gal/min) is indicated adopting a conversion factor of 1 gal = 4.0 litres, corresponding to the metric gallon.

Units of measurement displayed		
Quantity	Metric units	Anglo-American units
Pressure	bar	psi
Temperature	°C	°F
Flow rate	l / min	gal / min

Table 6: Measuring system

5.5.4 - AS: Association of devices

Allows connection/disconnection with the following devices:

- D-CONNECT BOX - Communication gateway.
- DEV Any other compatible devices.

The icons of the various connected devices are displayed on page AS with below an identifying acronym and the respective reception power.

An icon lit with a fixed light means that the device is connected and working correctly; a stroked through icon means the device is configured as part of the network but is not found.



All the devices present over the air are not displayed on this page but only the devices that have been associated with our network. Seeing only the devices in your own network allows the operation of several similar networks existing within the radius of action of the wireless without creating ambiguity; in this way the user does not see the elements that do not belong to his pumping system.

From this menu page it is possible to associate and disassociate an element from your personal wireless network.

When the machine starts the AS menu item does not show any connection because no device is associated. In these conditions the message “No Dev” is shown and the COMM led is off. Only an action by the operator can allow devices to be added or removed with the operations of association and disassociation.

Association of devices

Pressing ‘+’ for 5 sec puts the machine into the mode where it searches for wireless association, communicating this status by the blinking of the COMM leds at regular intervals. As soon as two machines in a working communication range are put into this status, if possible, they are associated with each other. If the association is not possible for one or both machines, the procedure ends and a pop-up appears on each machine saying “association not possible”. An association may not be possible because the device you are trying to associate is already present in the maximum number or because the device to be associated is not recognised. In the last case repeat the procedure from the start.

The search status for association remains active until the device to be

associated is detected (irrespective of the result of association); if not device can be seen within the space of 1 minutes, the machine automatically leaves association status. You can leave the search status for wireless association at any time by pressing SET or MODE.

Disassociation of devices

To disassociate a device belonging to an existing group, go to page AS (installer menu) of the device itself and press the – key for at least 5 seconds. After this operation all the icons related to the connected devices will be replaced the message “No Dev” is shown and the COMM led will remain off.

Replacing devices

To replace a device in an existing group it is sufficient to disassociate the device to be replaced and to associate the new device as described in the procedures above.

If it is not possible to disassociate the element to be replaced (faulty or not available), you will have to carry out the disassociation procedure for each device and create a new group.

5.5.5 - EK: Setting the low pressure function on suction

Present only in models with Kiwa function.

Sets the low pressure function on suction.

Value	Function
0	disabled
1	enabled with automatic reset
2	enabled with manual reset

5.5.6 - PK: Low pressure threshold on suction

Present only in models with Kiwa function.

Sets the pressure threshold below which the block is tripped for low pressure on suction.

5.5.7 - T1: Low pressure delay (function detecting low pressure on suction)

Sets the time when the inverter switches off after detecting low pressure on suction (see Setting low pressure detection on suction par. 7.6.15.5).

T1 can be set between 0 and 12 s. The factory setting is 2 s.

5.6 - Technical Assistance Menu

Present only in models with Kiwa function.

Advanced settings to be made only by skilled personnel or under the direct control of the service network.

From the main menu, hold down simultaneously the "MODE" and "SET" keys until "SP" appears on the display (or use the selection menu pressing + or -). The menu allows you to view and modify various configuration parameters: the MODE key allows you to scroll through the menu pages, the + and - keys allow you respectively to increase and decrease the value of the parameter concerned. Press SET to leave this menu and return to the main menu.

5.6.1 - TB: Water lack blockage time

Setting the reaction time of the water lack blockage allows you to select the time (in seconds) taken by the device to indicate the lack of water.

The variation of this parameter may be useful if there is known to be a delay between the moment the motor is switched on and the moment it actually begins to deliver. One example may be a plant where the suction pipe is particularly long and there are some slight leaks. In this case the pipe in question may be discharged and, even though water is not lacking, the electropump will take a certain time to reload, supply the flow and put the plant under pressure.

5.6.2 - T2: Delay in switching off

Sets the delay with which the inverter must switch off after switch-off conditions have been reached: plant under pressure and flow rate lower than the minimum flow.

T2 can be set between 2 and 120 s. The factory setting is 10 s.

5.6.3 - GP: Proportional gain coefficient

Generally the proportional term must be increased for systems characterised by elasticity (for example with PVC pipes) and lowered in rigid systems (for example with iron pipes).

To keep the pressure in the system constant, the inverter performs a type PI control on the measured pressure error. Depending on this error the inverter calculates the power to be supplied to the motor. The behaviour of this control depends on the set GP and GI parameters. To cope with the different behaviour of the various types of hydraulic plants where the system can work, the inverter allows the selection of parameters different

from those set by the factory. For nearly all plants the factory-set GP and GI parameters are optimal. However, should any problems occur in adjustment, these settings may be varied.

5.6.4 - GI: Integral gain coefficient

In the presence of large falls in pressure due to a sudden increase of the flow or a slow response of the system, increase the value of GI. Instead, if there are swings in pressure around the setpoint value, decrease the value of GI.

IMPORTANT: To obtain satisfactory pressure adjustments, you generally have to adjust both GP and GI.

5.6.5 - RM: Maximum speed

Sets a maximum limit on the number of pump revolutions.

5.6.6 - AY: Anti Cycling

As described in paragraph 9, this function is for avoiding frequent switching on and off in the case of leaks in the system. The function can be enabled in 2 different modes, normal and smart. In normal mode the electronic control blocks the motor after N identical start/stop cycles. In smart mode it acts on the parameter RP to reduce the negative effects due to leaks. If set on "Disable", the function does not intervene.

5.6.7 - AE: Enabling the anti-block function

This function is for avoiding mechanical blocks in the case of long inactivity; it acts by periodically rotating the pump. When the function is enabled, every 23 hours the pump performs an unblocking cycle lasting 1 min.

5.6.8 - AF: Enabling the anti-freeze function

If this function is enabled the pump is automatically rotated when the temperature reaches values close to freezing point, in order to avoid breakages of the pump.

5.7- Setting low pressure detection on suction (typically used in boosting systems connected to the water mains)

Present only in models with Kiwa function.

The low pressure detecting function generates the blocking of the system after the time T1 (see 5.5.6 - T1: Low pressure delay).

When this function is active the symbol F4 is shown on the main page.

Tripping of this function causes the pump to cut out; it may be reset automatically or manually. The automatic reset requires that, to leave the error condition F4, the pressure must return to a value 0.3 bar higher than PK for at least 2 sec. To reset the cut-out in manual mode, press and then release the "+" and "-" keys simultaneously

5.8 - RF: Fault and warning reset

Holding down the + and – keys together for at least 2 seconds deletes the history of faults and warnings. The number of faults present in the log is indicated under the symbol RF (max 64).

The log can be viewed from the MONITOR menu on page FF.

5.8.1 - PW: Change password

The device has a password-enabled protection system. If a password is set, the parameters of the device will be accessible and visible but it will not be possible to change them.

When the password (PW) is "0" all the parameters are unlocked and can be edited. When a password is used (value of PW different from 0) all modifications are blocked and "XXXX" is displayed on the page PW.

If the password is set it allows to navigate through all the pages, but at any attempt to edit a parameter a pop-up appears, asking you to type in the password. When the correct password is typed in the parameters are unlocked and can be edited for 10' after the last key is pressed.

If you want to cancel the password timer, just go to page PW and hold down + and – together for 2".

When the correct password is typed in a padlock is shown opening, while if the wrong password is given a flashing padlock appears.

After resetting the factory values the password is set back at "0".

Each change of the password takes effect when Mode or Set is pressed and each subsequent change of a parameter implies typing in the new password again (e.g. the installer makes all the settings with the default PW value = 0 and lastly sets the PW so as to be sure that the machine is already protected without any further action).

If the password is lost there are 2 possibilities for editing the parameters of the device:

- Make a note of the values of all the parameters, reset the device with the factory values, see paragraph 7.3. The reset operation cancels all the parameters of the device, including the password.
- Make a note of the number present on the password page, send a mail with this number to your service centre, in a few days you will be sent the password to unlock the device.

6 - PROTECTION SYSTEMS

The device is equipped with protection systems to preserve the pump, the motor, the supply line and the inverter. If one or more protections trip, the one with the highest priority is immediately notified on the display. Depending on the type of error the motor may stop, but when normal conditions are restored the error status may be cancelled immediately or only after a certain time, following an automatic reset.

In the case of blockage due to water lack (BL), blockage due to motor overload (OC), blockage due to direct short circuit between the motor phases (SC), you can try to exit the error conditions manually by simultaneously pressing and releasing the + and – keys. If the error condition remains, you must take steps to eliminate the cause of the fault.

In the event of blocking due to one of the internal errors E18, E19, E20, E21 it is necessary to wait 15 minutes with the machine powered until the blocked status is automatically reset.

Alarm in the fault log	
Display indication	Description
PD	Irregular switching off
FA	Problems in the cooling system

Table 7: Alarms

Blockage conditions	
Display indication	Description
PH	Cutout due to pump overheating
BL	Blockage due to water lack
BP1	Blockage due to reading error on the delivery pressure sensor
BP2	Blockage due to reading error on the suction pressure sensor
PB	Blockage due to supply voltage outside specifications
LP	Block for low DC voltage
HP	Block for high DC voltage
OT	Blockage due to overheating of the power stages
OC	Blockage due to motor overload
SC	Blockage due to short circuit between the motor phases
ESC	Blockage due to short circuit to earth
HL	Hot liquid
NC	Blockage due to motor disconnected
Ei	Blockage due to i-th internal error
Vi	Blockage due to i-th internal voltage out of tolerance
EY	Block for cyclicity abnormal detected on the system

Table 8: Indications of blockages

6.1 - Description of blockages

6.1.1 - “BL” Anti Dry-Run (Protection against dry running)

In the case of lack of water the pump is stopped automatically after the time TB. This is indicated by the red “Alarm” led and by the letters “BL” on the display. After having restored the correct flow of water you can try to leave the protective block manually by pressing the “+” and “-“ keys simultaneously and then releasing them. If the alarm status remains, or if the user does not intervene by restoring the flow of water and resetting the

pump, the automatic restart will try to restart the pump.



If the parameter SP is not correctly set, the protection against water lack may not work correctly.

6.1.2 - Anti-Cycling (Protection against continuous cycles without utility request)

If there are leaks in the delivery section of the plant, the system starts and stops cyclically even if no water is intentionally being drawn: even just a slight leak (a few ml) can cause a fall in pressure which in turn starts the electropump.

The electronic control of the system is able to detect the presence of the leak, based on its recurrence.

The Anti-Cycling function can be excluded or activated in Basic or Smart mode (par 5.6.6).

In Basic mode, once the condition of recurrence is detected the pump stops and remains waiting to be manually reset. This condition is communicated to the user by the lighting of the red “Alarm” led and the appearance of the word “ANTICYCLING” on the display. After the leak has been removed, you can manually force restart by simultaneously pressing and releasing the “+” and “-“ keys.

In Smart mode, once the leak condition is detected, the parameter RP is increased to decrease the number of starts over time.

6.1.3 - Anti-Freeze (Protection against freezing of water in the system)

The change of state of water from liquid to solid involves an increase in volume. It is therefore essential to ensure that the system does not remain full of water with temperatures close to freezing point, to avoid breakages of the system. This is the reason why it is recommended to empty any electropump that is going to remain unused during the winter. However, this system has a protection that prevents ice formation inside by activating the electropump when the temperature falls to values close to freezing point. In this way the water inside is heated and freezing prevented.



The Anti-Freeze protection works only if the system is regularly fed: with the plug disconnected or in the absence of current the protection cannot work. However, it is advised not to leave the system full during long periods of inactivity: drain the system accurately through the drainage cap and put it away in a sheltered place.

6.1.4 - “BP1” Blockage due to fault of the delivery pressure sensor (system pressurisation)

If the device detects a fault in the delivery pressure sensor the pump remains blocked and the error signal “BP1” is given. This status begins as soon as the problem is detected and ends automatically when correct conditions have been restored.

6.1.5 - “BP2” Blockage due to fault of the suction pressure sensor

If the device detects a fault in the suction pressure sensor the pump remains blocked and the error signal “BP2” is given. This status begins as soon as the problem is detected and ends automatically when correct conditions have been restored.

6.1.6 - “PB” Blockage due to supply voltage outside specifications

This occurs when the allowed line voltage at the supply terminal assumes values outside the specifications. It is reset only automatically when the voltage at the terminal returns within the allowed values.

6.1.7 - “SC” Blockage due to short circuit between the motor phases

The device is provided with protection against the direct short circuit which may occur between the motor phases. When this blockage is indicated you can attempt to restore operation by simultaneously holding down the + and – keys, but this will not have any effect until 10 seconds have passed since the moment the short circuit occurred.

6.2 - Manual reset of error conditions

In error status, the user can cancel the error by forcing a new attempt, pressing and then releasing the + and – keys.

6.3 - Self-reset of error conditions

For some malfunctions and blockage conditions, the system attempts automatic self-reset.

The auto self-reset procedure concerns in particular:

- “BL” Blockage due to water lack
- “PB” Blockage due to line voltage outside specifications
- “OT” Blockage due to overheating of the power stages
- “OC” Blockage due to motor overload
- “BP” Blockage due to fault of the pressure sensor

For example, if the system is blocked due to water lack, the device auto-

matically starts a test procedure to check whether the machine is really left definitively and permanently dry. If during the sequence of operations an attempted reset is successful (for example, the water comes back), the procedure is interrupted and normal operation is resumed.

Table 9 shows the sequences of the operations performed by the device for the different types of blockage.

Automatic resets of error conditions		
Display indication	Description	Automatic reset sequence
BL	Blockage due to water lack	<ul style="list-style-type: none"> - One attempt every 10 minutes for a total of 6 attempts. - One attempt every hour for a total of 24 attempts - One attempt every 24 hours for a total of 30 attempts.
PB	Blockage due to line voltage outside specifications	<ul style="list-style-type: none"> - It is reset when it returns to a specific voltage.
OT	Blockage due to overheating of the power stages	<ul style="list-style-type: none"> - It is reset when the temperature of the power stages returns within the specifications.
OC	Blockage due to motor overload	<ul style="list-style-type: none"> - One attempt every 10 minutes for a total of 6 attempts. - One attempt every hour for a total of 24 attempts. - One attempt every 24 hours for a total of 30 attempts.

Table 9: Self-reset of blockages

7 - RESET AND FACTORY SETTINGS

7.1 - General system reset

To reset the system, hold down the 4 keys simultaneously for 2 sec. This operation is the same as disconnecting the power, waiting for it to close down completely and supplying power again. The reset does not delete the settings saved by the user.

7.2 - Factory settings

The device leaves the factory with a series of preset parameters which may be changed according to the user's requirements. Each change of the settings is automatically saved in the memory and, if desired, it is always possible to restore the factory conditions (see Restoring the factory settings par par 7.3 - Restoring the factory settings).

7.3 - Restoring the factory settings

To restore the factory values, switch off the device, wait until the display has switched off completely, press and hold down the "SET" and "+" keys and turn on the power; release the two keys only when the letters "EE" appear.

This restores the factory settings (a message and a rereading on EE-PROM of the factory settings permanently saved in the FLASH memory). Once all the parameters have been set, the device returns to normal operation.

NOTE: Once the factory values have been restored it will be necessary to reset all the parameters that characterise the system (gains, setpoint pressure, etc.) as at the first installation.

Factory settings			
Identifying code	Description	Value e.sybox mini ³	Installation Memo
BK	Display brightness	80%	
TK	Backlight lighting T	2 min	

LA	Language	ENG	
SP	Setpoint pressure [bar]	2,7	
RI	Revs per minute in manual mode [rpm]	3200	
OD	Type of plant	1 (Rigid)	
RP	Pressure decrease to restart [bar]	0,3	
MS	Measuring system	0 (International)*	
EK	Low pressure function on suction	1	
PK	Low pressure threshold on suction [bar]	1,0	
TB	Blockage time for water lack [s]	15	
T1	Low pr. delay [s]	2	
T2	Delay in switching off [s]	10	
GP	Proportional gain coefficient	0,5	
GI	Integral gain coefficient	1,2	
RM	Maximum speed	7000	
AE	Anti-blocking function	1(Enable)	
AF	Antifreeze	0	
PW	Change Password	0 (Disabled)	
AY	Anticycling Function AY	0 (Disabilitato)	

*: for products intended for specific markets, the factory value of the measurement system MS may be 1 (English speaking world)

Table 10: Factory settings

8 - PARTICULAR INSTALLATIONS

8.1 - Inhibiting self-priming

The product is made and supplied with the capacity of being self-priming. With reference to par. 4, the system is able to prime and therefore operate in whatever installation configuration chosen: below head or above head. However there are cases in which the self-priming capacity is not necessary, or areas where it is forbidden to use self-priming pumps. During priming the pump obliges part of the water already under pressure to return to the suction part until a pressure value is reached at delivery whereby the system can be considered primed. At this point the recirculating channel closes automatically. This phase is repeated each time the pump is switched on, even already primed, until the same pressure value that closes the recirculating channel is reached (about 1 bar).

When the water arrives at the system intake already under pressure (maximum allowed 2 bar) or when the installation is always below head, it is possible (and mandatory where local regulations require it) to force the closure of the recirculating pipe, losing the self-priming capacity. This obtains the advantage of eliminating the clicking noise of the pipe shutter each time the system is switched on.

To force closure of the self-priming pipe, proceed as follows:

1. Disconnect the power supply;
2. empty the system (unless you decide to inhibit self-priming at the first installation);
3. remove the drainage cap on Face E, taking care not to drop the O-Ring (Fig.18);
4. with the aid of pliers take the shutter out of its seat. The shutter will be extracted together with the O-Ring and the metal spring with which it is assembled;
5. remove the spring from the shutter; insert the shutter in its seat again with the respective O-Ring (side with gasket towards the inside of the pump, stem with cross-shaped fins towards the outside);
6. screw on the cap after having positioned the metal spring in side so that it is compressed between the cap itself and the with cross-shaped fins of the shutter stem. When repositioning the cap ensure that the respective O-Ring is always correctly in its seat;

7. fill the pump, connect the power supply, start the system.

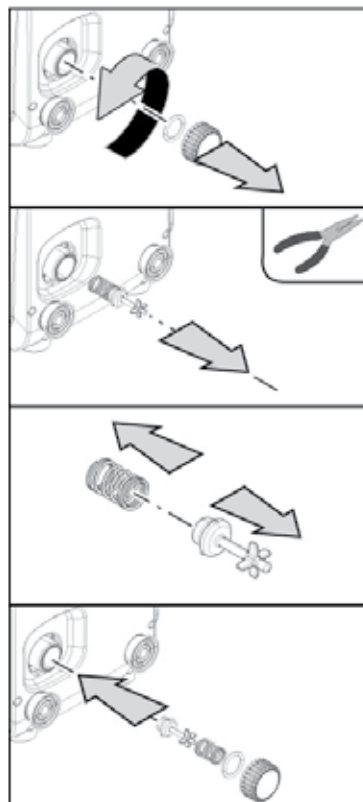


Figure 18

8.2 - Wall installation

This product is already set up for installation hanging on the wall with the DAB accessory kit, to be purchased separately. The wall installation appears as in Fig.19.

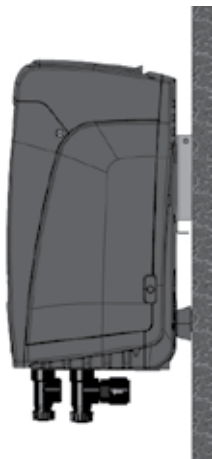


Figure 19

9. MAINTENANCE



Disconnect the power supply before starting any work on the system.

The system requires no routine maintenance operations.

However, below are the instructions for performing the special maintenance operations that may be necessary in particular cases (e.g. emptying the system to put it away during a period of inactivity).

9.1 - Accessory tool

With the product, DAB supplies a metal key with a hexagonal section (Fig.20 – 1) useful for performing some special maintenance operations on the system, or during installation.

In particular, use the key for the orientation of the interface panel described

in par. 2.2.2 or for opening the door of the compartment next to the interface panel.

If the key is lost or damaged, the operation can be done using a standard 2mm allen wrench.



Figure 20

9.2 - Emptying the system

If you want to drain the water out of the system, proceed as follows:

1. disconnect the power supply;
2. turn on the delivery tap closes to the system so as to remove pressure from the system and empty it as much as possible;
3. if there is a check valve immediately downstream from the system (always recommended), close it so as not to let out the water that is in the plant between the system and the first turned on tap;
4. interrupt the suction pipe in the point closest to the system (it is always recommended to have a check valve immediately upstream from the system) so as not to drain the whole suction system;
5. remove the drainage cap (fig.1 face E if vertical configuration; fig.1 Face C if horizontal configuration) and let out the water inside (about 1.5 litres);
6. the water that is trapped in the delivery system downstream from the non-return valve integrated in the system can flow out at the time of disconnecting the system, or on removing the cap of the second delivery (if not used).



Though essentially drained, the system is unable to expel all the water that it contains.

During handling of the system after emptying it, some small amounts of water may probably leak out from the system.

9.3 - Non-return valve

The system has an integrated non-return valve which is necessary for correct operation. The presence of solid bodies or sand in the water could cause malfunctioning of the valve and therefore of the system. Although it is recommended to use fresh water and eventually fit filters on input, if you notice abnormal operation of the non-return valve it can be extracted from the system and cleaned and/or replaced by proceeding as follows:

1. remove the access door to the special maintenance compartment (Fig.1 Face F) disengaging the 2 fixing screws with the accessory tool. It is advisable not to remove the screws completely, so that you can use them to extract the door. Take care not to drop the screws inside the system once you have removed the door (Fig.21);
2. using a screwdriver, remove the 1"1/4 cap so as to access the non-return valve (Fig.21);
3. using pliers, extract the cartridge of the non-return valve without rotating it, gripping it by the jumper provided for the purpose (Fig.21): the operation may require a certain effort;
4. clean the valve under running water, ensure that it is not damaged and replace it if necessary;
5. put the complete cartridge back in its seat: the operation requires the force necessary to compress the 2 O-Rings (Fig.21);
6. Screw on the 1"1/4 cap until it is snug: if the cartridge has not been pushed correctly in place, screwing on the cap will complete its positioning (Fig.21);
7. reposition the door and tighten the 2 screws (Fig.21).

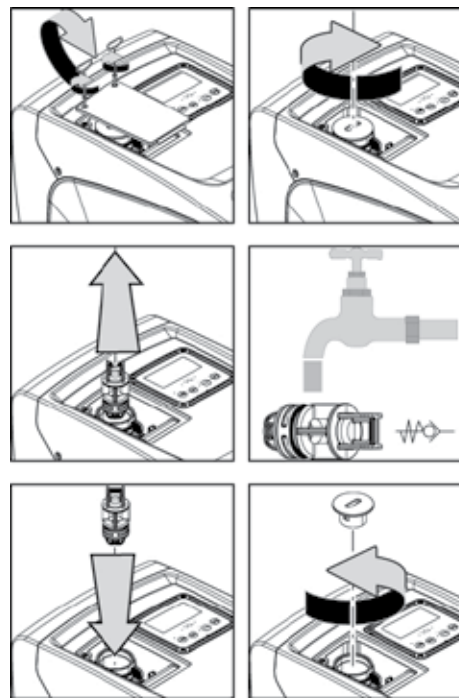


Figure 21



Should one or more O-rings be lost or damaged during maintenance operations on the non-return valve, they must be replaced. Otherwise the system might not work correctly.

9.4 - Motor shaft

The electronic control of the system ensures smooth starts so as to avoid excessive stress on the mechanical parts and thus prolong the life of the product. In exceptional cases this characteristic could cause problems

in starting the pump: after a period of inactivity, perhaps with the system drained, the salts dissolved in the water could have settled and formed calcification between the moving part (motor shaft) and the fixed part of the pump, thus increasing the resistance on starting. In this case it may be sufficient to help the motor shaft by hand to detach itself from the calcifications. In this system the operation is possible because access to the motor shaft from outside is guaranteed and a groove is provided at the end of the shaft. Proceed as follows:

1. remove the cover of the technical compartment (fig.1 Face A);
2. lift the rubber cover of the motor shaft access cap (fig. 22);
3. using a 10mm hexagonal key, remove the motor shaft access cap (fig. 22);
4. insert a straight tip screwdriver in the groove on the motor shaft and manoeuvre, turning in 2 directions (fig. 22);
5. if it is turning freely the system can be started, after having replaced the cap and cover that have been removed;
6. if rotation is blocked and it cannot be removed by hand, call the assistance service.

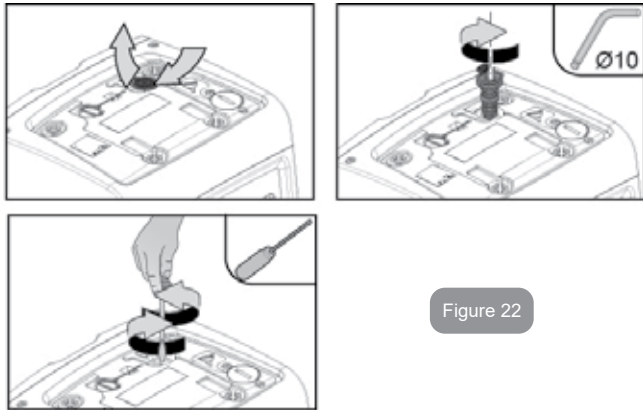


Figure 22

9.5 - Expansion Vessel

See paragraph 1.2 for the operations to check and adjust the air pressure in the expansion vessel and to replace it if it is broken.

To access the valve of the expansion vessel, proceed as follows:

1. remove the access door to the special maintenance compartment (Fig.1 Face F) disengaging the 2 fixing screws with the accessory tool. It is advisable not to remove the screws completely, so that you can use them to extract the door. Take care not to drop the screws inside the system once you have removed the door (fig. 23);
2. slip the rubber cap off the valve or the expansion vessel (fig. 23);
3. regulate the valve as indicated in paragraph 1.2 (fig. 23);
4. reposition the rubber cap (fig. 23);
5. reposition the door and tighten the 2 screws (fig. 23).

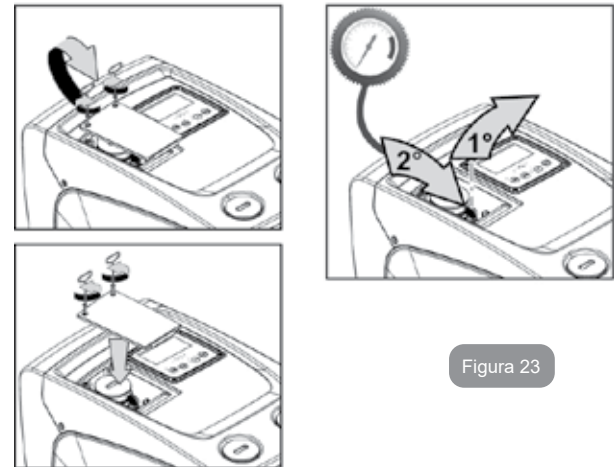


Figura 23

10 - TROUBLESHOOTING



Before starting to look for faults it is necessary to disconnect the power supply to the pump (take the plug out of the socket).

Solving typical problemsi

Fault	LED	Probable Causes	Remedies
The pump does not start.	Red: off White: off Blue: off	No electric power.	Check whether there is voltage in the socket and insert the plug again.
The pump does not start.	Red: on White: on Blue: off	Shaft blocked.	See paragraph 9.4 (motor shaft maintenance).
The pump does not start.	Red: off White: on Blue: off	Utility at a level higher than the system restarting pressure level (par. 3.2).	Increase the system restarting pressure level by increasing SP or decreasing RP.
The pump does not stop.	Red: off White: on Blue: off	<ol style="list-style-type: none"> 1. Leak in the system. 2. Impeller or hydraulic part clogged. 3. Air getting into the suction pipe. 4. Faulty flow sensor 	<ol style="list-style-type: none"> 1. Check the system, find and eliminate the leak. 2. Dismantle the system and remove the obstructions (assistance service). 3. Check the suction pipe, find and eliminate the cause of air getting in. 4. Contact the assistance centre.

Insufficient delivery	Red: off White: on Blue: off	<ol style="list-style-type: none"> 1. Suction depth too high. 2. Suction pipe clogged or diameter insufficient. 3. Impeller or hydraulic part clogged. 	<ol style="list-style-type: none"> 1. As the suction depth increases the hydraulic performance of the product decreases. Check whether the suction depth can be reduced. Use a suction pipe with a larger diameter (but never smaller than 1"). 2. Check the suction pipe, find the cause of choking (obstruction, dry bend, counterslope, ...) and remove it. 3. Dismantle the system and remove the obstructions (assistance service).
The pump starts without utility request.	Red: off White: on Blue: off	<ol style="list-style-type: none"> 1. Leak in the system. 2. Faulty non-return valve. 	<ol style="list-style-type: none"> 1. Check the system, find and eliminate the leak. 2. Service the non-return valve as described in par. 9.3.
The water pressure when turning on the utility is not immediate.	Red: off White: on Blue: off	Expansion vessel empty (insufficient air pressure) or has broken diaphragm.	Check the air pressure in the expansion vessel. If water comes out when checking, the vessel is broken: assistance service. Otherwise restore the air pressure according to the equation par. 1.2.
When the utility is turned on the flow falls to zero before the pump starts	Red: off White: on Blue: off	Air pressure in the expansion vessel higher than the system starting pressure.	TCalibrate the expansion vessel pressure or configure the parameters SP and/or RP so as to satisfy the equation par.1.2.

The display shows BL	Red: on White: on Blue: off	1. No water. 2. Pump not primed. 3. Setpoint not reachable with the set RM value	1-2. Prime the pump and check whether there is air in the pipe. Check whether the suction or any filters are blocked. 3. Set a RM value that allows the setpoint to be reached.
The display shows BP1	Red: on White: on Blue: off	1. Faulty pressure sensor.	1. Contact the assistance centre.
The display shows BP2	Red: on White: on Blue: off	1. Faulty pressure sensor.	1. Contact the assistance centre.
The display shows OC	Red: on White: on Blue: off	1. Excessive absorption. 2. Pump blocked.	1. Fluid too dense. Do not use the pump for fluids other than water. 2. Contact the assistance centre.
The display shows PB	Red: on White: on Blue: off	1. Supply voltage too low. 2. Excessive drop in voltage on the line.	1. Check the presence of the correct supply voltage. 2. Check the section of the power supply cables.

11 - UPDATING THE FIRMWARE

The firmware can be updated with the D-Connect Box via wireless communication. To perform the update, refer to the D-Connect Box manual.

12 - DISPOSAL

This product or its parts must be disposed of in an environment-friendly manner and in compliance with the local regulations concerning the environment; use public or private local waste collection systems.

13 - GUARANTEE

Any use of faulty material or manufacturing defects of the appliance will be eliminated during the guarantee period contemplated by the law in force in the country where the product is purchased, by repair or replacement, as we decide.

The guarantee covers all substantial defects that can be assigned to manufacturing faults or to the material used if the product has been used correctly, in accordance with the instructions.

The guarantee is void in the following cases:

- attempts to repair the appliance,
- technical alterations to the appliance,
- use of non original spare parts,
- tampering.
- inappropriate use, for example industrial use.

Excluded from the guarantee:

- parts subject to rapid wear.

When making a request under guarantee, apply to an authorised technical assistance service, presenting proof of purchase of the product.