

---

**ISTRUZIONI PER L'INSTALLAZIONE E LA MANUTENZIONE**  
**INSTRUCTIONS DE MISE EN SERVICE ET D'ENTRETIEN**  
**INSTRUCTIONS FOR INSTALLATION AND MAINTENANCE**  
**INSTALLATIONSANWEISUNG UND WARTUNG**  
**INSTRUCTIES VOOR INGEBRUIKNAME EN ONDERHOUD**  
**INSTRUCCIONES PARA LA INSTALACION Y EL MANTENIMIENTO**  
**INSTALLATIONS - OCH UNDERHÅLLSANVISNING**  
**ИНСТРУКЦИИ ПО МОНТАЖУ И ТЕХНИЧЕСКОМУ ОБСЛУЖИВАНИЮ**  
**INSTRUCTIUNI DE INSTALARE SI INTRETINERE**  
**NÁVOD NA INSTALACI A OBSLUHU**

# **NOVA BOX**



---

## NOVA BOX

### **(IT) DICHIARAZIONE DI CONFORMITÀ CE**

Noi, **DAB Pumps S.p.A. - Via M.Polo, 14 – Mestrino (PD) – Italy**, dichiariamo sotto la nostra esclusiva responsabilità che i prodotti ai quali questa dichiarazione si riferisce sono conformi alle seguenti direttive:

- **2006/95/CE (Low Voltage Directive)**
- **2004/108/CE (Electromagnetic Compatibility Directive)**
- **2011/65/EU (Restriction of the use of certain hazardous substances in electrical and electronic equipment)**

ed alle seguenti norme:

- **EN 60335-1 : 10 (Household and Similar Electrical Appliances – Safety)**
- **EN 60335-2-41 : 10 (Particular Requirements for Pumps)**
- **EN 12050-1 : 03 (Lifting plants for wastewater containing faecal matter)**

### **(GB) DECLARATION OF CONFORMITY CE**

We, **DAB Pumps S.p.A. - Via M.Polo, 14 – Mestrino (PD) – Italy**, declare under our responsibility that the products to which this declaration refers are in conformity with the following directives:

- **2006/95/CE (Low Voltage Directive)**
- **2004/108/CE (Electromagnetic Compatibility Directive)**
- **2011/65/EU (Restriction of the use of certain hazardous substances in electrical and electronic equipment)**

and with the following standards:

- **EN 60335-1 : 10 (Household and Similar Electrical Appliances – Safety)**
- **EN 60335-2-41 : 10 (Particular Requirements for Pumps)**
- **EN 12050-1 : 03 (Lifting plants for wastewater containing faecal matter)**

### **(NL) EG-VERKLARING VAN OVEREENSTEMMING**

Wij, **DAB Pumps S.p.A. - Via M.Polo, 14 – Mestrino (PD) – Italy**, verklaren uitsluitend voor eigen verantwoordelijkheid dat de producten waarop deze verklaring betrekking heeft, conform de volgende richtlijnen zijn:

- **2006/95/CE (Low Voltage Directive)**
- **2004/108/CE (Electromagnetic Compatibility Directive)**
- **2011/65/EU (Restriction of the use of certain hazardous substances in electrical and electronic equipment)**

en conform de volgende normen:

- **EN 60335-1 : 10 (Household and Similar Electrical Appliances – Safety)**
- **EN 60335-2-41 : 10 (Particular Requirements for Pumps)**
- **EN 12050-1 : 03 (Lifting plants for wastewater containing faecal matter)**

### **(FR) DÉCLARATION DE CONFORMITÉ CE**

Nous, **DAB Pumps S.p.A. - Via M.Polo, 14 – Mestrino (PD) – Italy**, déclarons sous notre responsabilité exclusive que les produits auxquels cette déclaration se réfère sont conformes aux directives suivantes:

- **2006/95/CE (Low Voltage Directive)**
- **2004/108/CE (Electromagnetic Compatibility Directive)**
- **2011/65/EU (Restriction of the use of certain hazardous substances in electrical and electronic equipment)**

ainsi qu'aux normes suivantes :

- **EN 60335-1 : 10 (Household and Similar Electrical Appliances – Safety)**
- **EN 60335-2-41 : 10 (Particular Requirements for Pumps)**
- **EN 12050-1 : 03 (Lifting plants for wastewater containing faecal matter)**

### **(DE) EG-KONFORMITÄTSERKLÄRUNG**

Wir, **DAB Pumps S.p.A. - Via M.Polo, 14 – Mestrino (PD) – Italy**, erklären unter unserer ausschließlichen Verantwortlichkeit, dass die Produkte auf die sich diese Erklärung bezieht, den folgenden Richtlinien:

- **2006/95/CE (Low Voltage Directive)**
- **2004/108/CE (Electromagnetic Compatibility Directive)**
- **2011/65/EU (Restriction of the use of certain hazardous substances in electrical and electronic equipment)**

sowie den folgenden Normen entsprechen:

- **EN 60335-1 : 10 (Household and Similar Electrical Appliances – Safety)**
- **EN 60335-2-41 : 10 (Particular Requirements for Pumps)**
- **EN 12050-1 : 03 (Lifting plants for wastewater containing faecal matter)**

### **(ES) DECLARACIÓN DE CONFORMIDAD CE**

Nosotros, **DAB Pumps S.p.A. - Via M.Polo, 14 – Mestrino (PD) – Italy**, declaramos bajo nuestra exclusiva responsabilidad que los productos a los que se refiere esta declaración son conformes con las directivas siguientes:

- **2006/95/CE (Low Voltage Directive)**
- **2004/108/CE (Electromagnetic Compatibility Directive)**
- **2011/65/EU (Restriction of the use of certain hazardous substances in electrical and electronic equipment)**

y con las normas siguientes:

- **EN 60335-1 : 10 (Household and Similar Electrical Appliances – Safety)**
  - **EN 60335-2-41 : 10 (Particular Requirements for Pumps)**
  - **EN 12050-1 : 03 (Lifting plants for wastewater containing faecal matter)**
-

**(SE) EG-FÖRSÄKRAN OM ÖVERENSSTÄMMELSE**  
Vi, **DAB Pumps S.p.A. - Via M.Polo, 14 – Mestrino (PD) – Italy**, försäkrar under eget ansvar att produkterna som denna försäkran avser är i överensstämmelse med följande direktiv:

- **2006/95/CE (Low Voltage Directive)**
- **2004/108/CE (Electromagnetic Compatibility Directive)**
- **2011/65/EU (Restriction of the use of certain hazardous substances in electrical and electronic equipment)**

och följande standarder:

- **EN 60335-1 : 10 (Household and Similar Electrical Appliances – Safety)**
- **EN 60335-2-41 : 10 (Particular Requirements for Pumps)**
- **EN 12050-1 : 03 (Lifting plants for wastewater containing faecal matter)**

**(RO) DECLARAȚIE DE CONFORMITATE CE**  
Noi, **DAB Pumps S.p.A. - Via M.Polo, 14 – Mestrino (PD) – Italy**, declarăm sub exclusivă noastră responsabilitate că produsele la care se referă această declarație sunt conforme cu următoarele directive:

- **2006/95/CE (Low Voltage Directive)**
- **2004/108/CE (Electromagnetic Compatibility Directive)**
- **2011/65/EU (Restriction of the use of certain hazardous substances in electrical and electronic equipment)**

și cu următoarele norme:

- **EN 60335-1 : 10 (Household and Similar Electrical Appliances – Safety)**
- **EN 60335-2-41 : 10 (Particular Requirements for Pumps)**
- **EN 12050-1 : 03 (Lifting plants for wastewater containing faecal matter)**

**(RU) ЗАЯВЛЕНИЕ О СООТВЕТСТВИИ CE**  
Мы, **DAB Pumps S.p.A. - Via M.Polo, 14 – Mestrino (PD) – Italy**, заявляем под полную нашу ответственность, что изделия к которым относится данное заявление, отвечают требованиям следующих директив:

- **2006/95/CE (Low Voltage Directive)**
- **2004/108/CE (Electromagnetic Compatibility Directive)**
- **2011/65/EU (Restriction of the use of certain hazardous substances in electrical and electronic equipment)**

и следующих нормативов:

- **EN 60335-1 : 10 (Household and Similar Electrical Appliances – Safety)**
- **EN 60335-2-41 : 10 (Particular Requirements for Pumps)**
- **EN 12050-1 : 03 (Lifting plants for wastewater containing faecal matter)**

**(CZ) PROHLÁŠENÍ O SHODĚ CE**  
My, **DAB Pumps S.p.A. - Via M.Polo, 14 – Mestrino (PD) – Italy**, prohlašujeme na svou zodpovědnost, že výrobky, na které toho prohlášení platí, jsou ve shodě s následujícími směrnici:

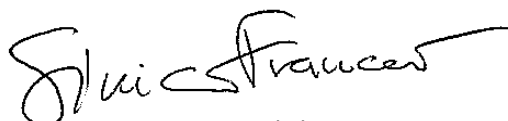
- **2006/95/CE (Low Voltage Directive)**
- **2004/108/CE (Electromagnetic Compatibility Directive)**
- **2011/65/EU (Restriction of the use of certain hazardous substances in electrical and electronic equipment)**

A s následujícími normami:

- **EN 60335-1 : 10 (Household and Similar Electrical Appliances – Safety)**
- **EN 60335-2-41 : 10 (Particular Requirements for Pumps)**
- **EN 12050-1 : 03 (Lifting plants for wastewater containing faecal matter)**

Mestrino (PD), 01/01/2013

|           |   |
|-----------|---|
| <b>IT</b> | Ultime due cifre dell'anno di apposizione della marcatura: <b>13</b>              |
| <b>FR</b> | Deux derniers chiffres de l'année d'apposition du marquage : <b>13</b>            |
| <b>GB</b> | Last two figures of the year in which the mark was applied: <b>13</b>             |
| <b>DE</b> | Die letzten beiden Zahlen des Jahrs der Kennzeichnung: <b>13</b>                  |
| <b>NL</b> | Laatste twee cijfers van het jaar voor het aanbrengen van de markering: <b>13</b> |
| <b>ES</b> | Últimas dos cifras del año puestas en aposición en el mercado: <b>13</b>          |
| <b>SE</b> | De två sista siffrorna i det årtal då märkningen har anbringats: <b>13</b>        |
| <b>RU</b> | Последние две цифры года в маркировке: <b>13</b>                                  |
| <b>RO</b> | Ultimele două cifre ale anului de aplicare a marcajului: <b>13</b>                |
| <b>CZ</b> | Poslední dvě číslice určující rok v označení: <b>13</b>                           |



Francesco Sinico  
Technical Director

---

|                   |        |    |
|-------------------|--------|----|
| <b>ITALIANO</b>   | pag    | 01 |
| <b>FRANÇAIS</b>   | page   | 05 |
| <b>ENGLISH</b>    | page   | 09 |
| <b>DEUTSCH</b>    | seite  | 13 |
| <b>NEDERLANDS</b> | bladz  | 17 |
| <b>ESPAÑOL</b>    | pág    | 21 |
| <b>SVENSKA</b>    | sid    | 25 |
| <b>РУССКИЙ</b>    | стр.   | 29 |
| <b>ROMANA</b>     | pag.   | 33 |
| <b>ČESKY</b>      | strana | 37 |

---

|   | <b>pag.</b> |
|---|-------------|
| <b>INDICE</b>                                 |             |
| 1. AVVERTENZE                                 | 1           |
| 2. RESPONSABILITÀ                             | 1           |
| 3. DIMENSIONI E PESI                          | 1           |
| 4. MODALITÀ DI IMPIEGO                        | 1           |
| 5. INSTALLAZIONE                              | 1           |
| 6. IMPORTANTE                                 | 2           |
| 7. MANUTENZIONE                               | 3           |
| 8. RICERCA INCONVENIENTI                      | 3           |
| SCHEMA DI MONTAGGIO : KIT GALLEGGIANTE DOCCIA | 41          |
| ESEMPIO DI INSTALLAZIONE                      | 42          |

## 1. AVVERTENZE

### 1.1 **Prima di procedere all'installazione leggere attentamente questa documentazione e quella contenuta nel manuale della pompa.**

E' indispensabile che i collegamenti elettrici e idraulici vengano realizzati da personale qualificato ed in possesso dei requisiti tecnici indicati dalle norme di sicurezza riguardanti la progettazione, l'installazione e la manutenzione degli impianti tecnici del paese di installazione del prodotto.

Il mancato rispetto delle norme di sicurezza, oltre a creare pericolo per l'incolumità delle persone e danneggiare le apparecchiature, farà decadere ogni diritto di intervento in garanzia.

### 1.2 Per personale qualificato si intendono quelle persone che per la loro formazione, esperienza ed istruzione, nonché le conoscenze delle relative norme, prescrizioni provvedimenti per la prevenzione degli incidenti e sulle condizioni di servizio, sono stati autorizzati dal responsabile della sicurezza dell'impianto ad eseguire qualsiasi necessaria attività ed in questa essere in grado di conoscere ed evitare qualsiasi pericolo. (Definizione per il personale tecnico IEC 364).

L'apparecchio non è destinato ad essere usato da persone (bambini compresi) le cui capacità fisiche sensoriali e mentali siano ridotte, oppure con mancanza di esperienza o di conoscenza, a meno che esse abbiano potuto beneficiare, attraverso l'intermediazione di una persona responsabile della loro sicurezza, di una sorveglianza o di istruzioni riguardanti l'uso dell'apparecchio. I bambini devono essere sorvegliati per sincerarsi che non giochino con l'apparecchio.

### 1.3 Verificare che l'impianto non abbia subito danni dovuti al trasporto o al magazzinaggio. In particolare occorre controllare che l'involucro esterno sia perfettamente integro ed in ottime condizioni ; verificare l'efficienza di tutti i componenti della vasca, se necessario, sostituire le parti che non risultassero in perfetta efficienza.

## 2. RESPONSABILITÀ

Il costruttore non risponde del mal funzionamento dell'impianto qualora questo venga manomesso o modificato o fatto funzionare oltre i dati di targa.

Declina inoltre ogni responsabilità per le possibili inesattezze contenute nel presente opuscolo, se dovute ad errori di stampa o di trascrizione. Si riserva il diritto di apportare ai prodotti quelle modifiche che riterrà necessarie od utili, senza pregiudicarne le caratteristiche essenziali.

## 3. DIMENSIONI E PESI

La targhetta adesiva posta sull'imballo riporta l'indicazione del peso totale dell'impianto. Le dimensioni di ingombro sono riportate a pag. 3

## 4. MODALITÀ DI IMPIEGO

NOVA BOX è un sistema premontato, pronto alla posa, senza bisogno di regolazioni, ideale per la raccolta e lo smaltimento di scarichi domestici da locali seminterrati, situati sotto il livello della rete fognaria.

NON è idonea per il convogliamento di acque nere di rifiuto e liquidi corrosivi.

Temperatura max del liquido: 50 °C continui – fino a 90 °C per massimo 3 minuti.

In ottemperanza alle vigenti norme antinfortunistiche, le NOVA BOX non possono essere impiegate per il convogliamento di liquidi infiammabili o esplosivi, quali benzina, gasolio, oli combustibili, solventi, ecc.

## 5. INSTALLAZIONE

5.1 Le NOVA BOX sono fornite con pompe NOVA 300.

5.2 Per riferimenti dei particolari riguardanti il montaggio vedere schema di montaggio pag. 4

|                                     | <b>Page</b> |
|-------------------------------------|-------------|
| <b>CONTENTS</b>                     |             |
| 1. WARNINGS                         | 9           |
| 2. RESPONSIBILITY                   | 9           |
| 3. DIMENSIONS AND WEIGHTS           | 9           |
| 4. METHOD OF USE                    | 9           |
| 5. INSTALLATION                     | 9           |
| 6. IMPORTANT                        | 10          |
| 7. MAINTENANCE                      | 11          |
| 8. TROUBLESHOOTING                  | 11          |
| ASSEMBLY DIAGRAM : SHOWER FLOAT KIT | 41          |
| EXAMPLE OF INSTALLATION             | 42          |

## 1. WARNINGS

### 1.1 **Read this documentation and the documentation supplied in the pump manual carefully before installation.**

It is indispensable to have the electrical and hydraulic connections made by skilled personnel in possession of the technical requirements indicated by the safety regulations in force in the country in which the product is installed.

Failure to comply with the safety regulations not only causes risk to personal safety and damage to the equipment, but invalidates every right to assistance under guarantee.

### 1.2 The term skilled personnel means persons whose training, experience and instruction, as well as their knowledge of the respective standards and requirements for accident prevention and working conditions, have been approved by the person in charge of plant safety, authorizing them to perform all the necessary activities, during which they are able to recognize and avoid all dangers. (Definition for technical personnel IEC 364).

The appliance is not intended for use by persons (including children) with reduced physical, sensory or mental capabilities, or lack of experience and knowledge, unless they have been given supervision or instruction concerning use of the appliance by a person responsible for their safety. Children should be supervised to ensure that they do not play with the appliance.

### 1.3 Check that no damage has been done during transport or storage. In particular, ensure that the external casing is perfectly entire and in excellent condition; check the efficiency of all the tank components and, if necessary, replace any parts that are not in perfect working order.

## 2. RESPONSIBILITY

The Manufacturer does not ensure good operation of the circulator if it is tampered with or modified or made to operate at values beyond the data on the plate.

The Manufacturer also declines all responsibility for possible errors in this booklet, if due to misprints or errors in copying. The company reserves the right to make any modifications to products that it may consider necessary or useful, without affecting the essential characteristics.

## 3. DIMENSIONS AND WEIGHTS

The adhesive label on the package indicates the total weight of the system. The dimensions are given on page 11

## 4. METHOD OF USE

NOVA BOX is a pre-assembled system, ready for installation, without any need of regulation, ideal for collecting and disposing of domestic waste from basement premises, located below the level of the sewage network.

It is NOT suitable for conveying waste sewage and corrosive liquids.

Max. liquid temperature: 50°C continuous - up to 90°C for maximum 3 minutes.

In accordance with the accident-prevention regulations in force, the NOVA BOX may not be used for conveying inflammable or explosive liquids, such as petrol, diesel fuel, fuel oil, solvents, etc.

## 5. INSTALLATION

5.1 The NOVA BOX is supplied with a NOVA 300 pump that is not connected to the tank couplings.

5.2 For the part references concerning assembly, see the assembly diagram on page 12

**5.3 Instructions for assembly:**

Remove the tank cover, releasing the 6 clips(229). The maximum level reached in the tank with the standard float is 285 mm from the tank bottom. If it is necessary to maintain a lower maximum level, the standard float must be replaced with the float type B (standard supply) (fig. page 12 ). With this float it is possible to limit the maximum level of water in the tank to 110 mm. A typical application is for a shower drain. To change the float, slacken the screw (26) and extract the standard float from the horizontal pin onto which it is keyed, fit the float type B, performing the same operations in inverse order, and secure it with the same screw..

Insert the pump between the two anchoring points on the bottom of the tank and make the following hydraulic connections:

INPUT: (for the input references, see the example of installation on page 41)

- 2 on sides A and B: to use these inputs a hole must be made in the box on the marks and the adapters (119) must be fitted for PVC pipes with external diam. = 40 mm, or internal diam. = 50 mm, to be glued on with adhesive type “TANGIT” (HENKEL). The gaskets (64a) must be applied on the outside of the tank.
- 1 on side C: to use this inputs a hole must be made in the box on the mark and the 3/4” hosetail (119a) must be fitted for rubber pipes with external diam. = 25 mm. The gasket (64b) must be applied on the outside of the tank. It is recommended to secure the pipe to the sleeve with two hose-clamps. When used for a washing machine drain, install a siphon (not supplied) between the machine and the collecting tank, so as to avoid the overflow of liquid when it is not in use.
- 1 on the cover D: for pipes with external diam = 30 or 40 mm. To use this input, make a hole in the cover in the place provided, without damaging the seat of the rubber sleeve. Use one of the clamps (84) or (84a) supplied in the accessories kit to ensure the seal between the input pipe and the cover.

DELIVERY:

Fit the no return valve (137) supplied in the accessories kit, screwing it onto the output mouth, after fitting the sealing gasket (64a) between the tank and the valve. Tighten it to ensure the seal of the gasket. Directly connect the delivery pipe with internal thread 1¼” or fit the connecting union (161) to use a rubber delivery pipe with internal diam. = 32 mm, to be secured with a hose-clamp.

Before replacing the cover on the tank, test the connection with clean water, after having connected the pump to the mains.

VENTILATION:

The ventilation duct E may be made using a PVC pipe with external diam = 30 or 40 mm, to be connected to the cover of the tank with a rubber clamp (84) or (84a) supplied as standard in the accessories kit. Avoid horizontal stretches. If it is not possible to make a pipe, the seat for pipe connection may be fitted with a valve with filter. To fit the valve, refer to the diagram on page 12 and insert all its components in the valve housing, proceeding in this order: float ball (49), seal ring (16a), safety valve support disc (180), O-Ring (95), rubber clamp diam. 490 mm (84a), breather cap (26).

**6. IMPORTANT**

6.1



Install the tank in a position protected against frost.

6.2



The tank may stand on the floor or be placed in a masonry pit. In any case the surface on which it rests must be perfectly horizontal and the whole of the bottom of the tank must rest on the surface..

6.3



Ensure that the difference in level between the pump and the sewage mains is compatible with the pump performance.

6.4



The tank should be ventilated in any case.

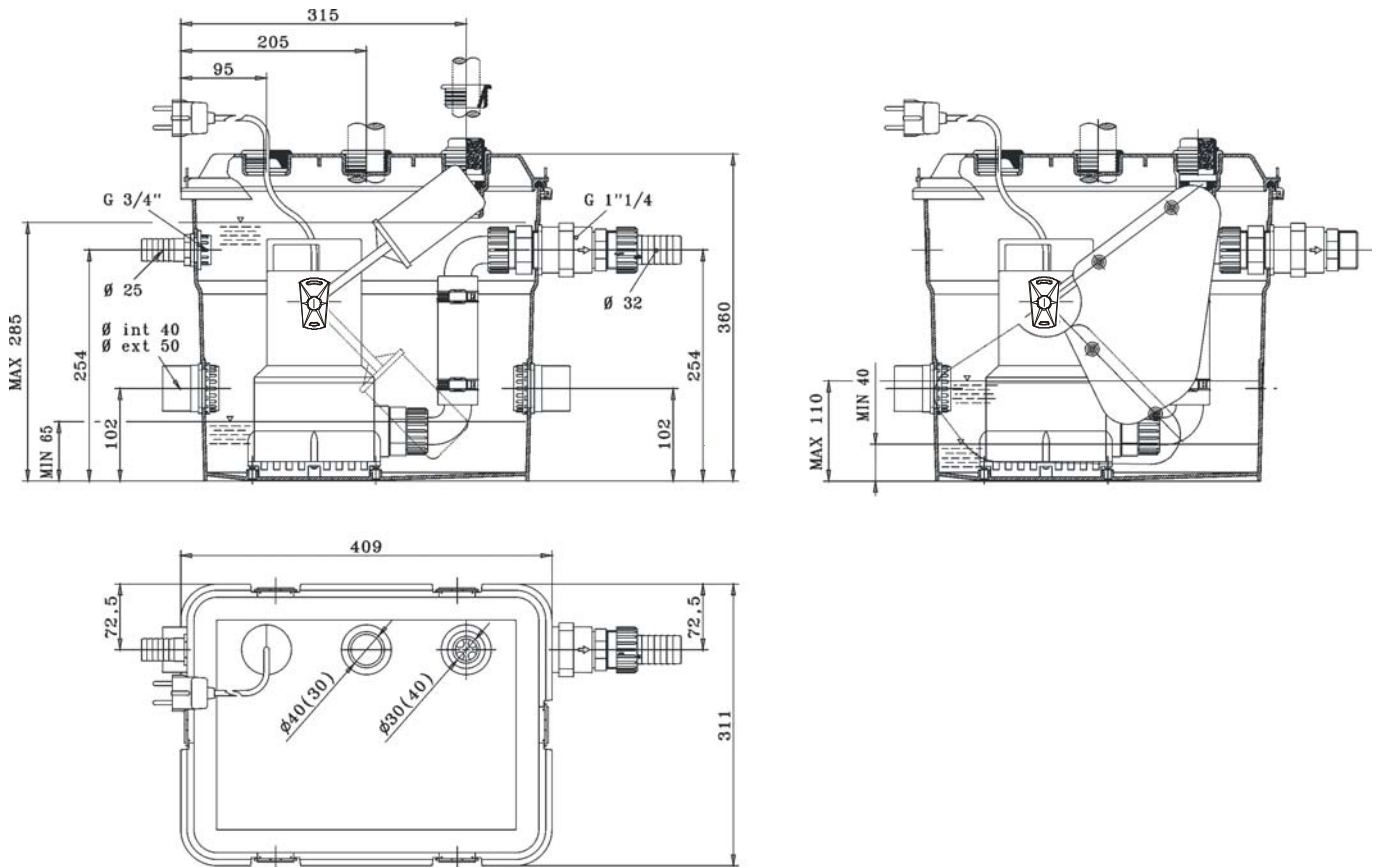
## 7. MAINTENANCE

- 7.1 After starting up the plant, it is advisable to inspect and clean it, especially the no return valve, about every three months. This interval may be increased after the first inspections have given a favourable outcome.
- 7.2 Clean the pump accurately, removing any foreign bodies stuck in the intake grille and check that the float moves freely. If necessary, remove the pump from the tank.
- 7.3 To take out the pump, release it from the delivery duct, unscrewing the two ring nuts of the elbow connections (161a).
- 7.4 It is recommended to clean the system at least once a year with running water, operating the pump repeatedly.
- 7.5 To guarantee good operation of the breather filter (42), it must be cleaned at least every six months with soap and water.

## 8. TROUBLESHOOTING

| FAULT  | CHECK (POSSIBLE CAUSES)  | REMEDY  |
|--|--|---|
| 1. Water is overflowing from the tank and the pump is not working. | <ul style="list-style-type: none"> <li>A. Delivery pipe blocked.</li> <li>B. No return valve blocked.</li> <li>C. Pump characteristics are insufficient.</li> <li>D. The pump intake grille is blocked.</li> </ul> | <ul style="list-style-type: none"> <li>A. Remove the obstructions.</li> <li>B. Clean the valve.</li> <li>D. Remove the obstructions.</li> </ul> |

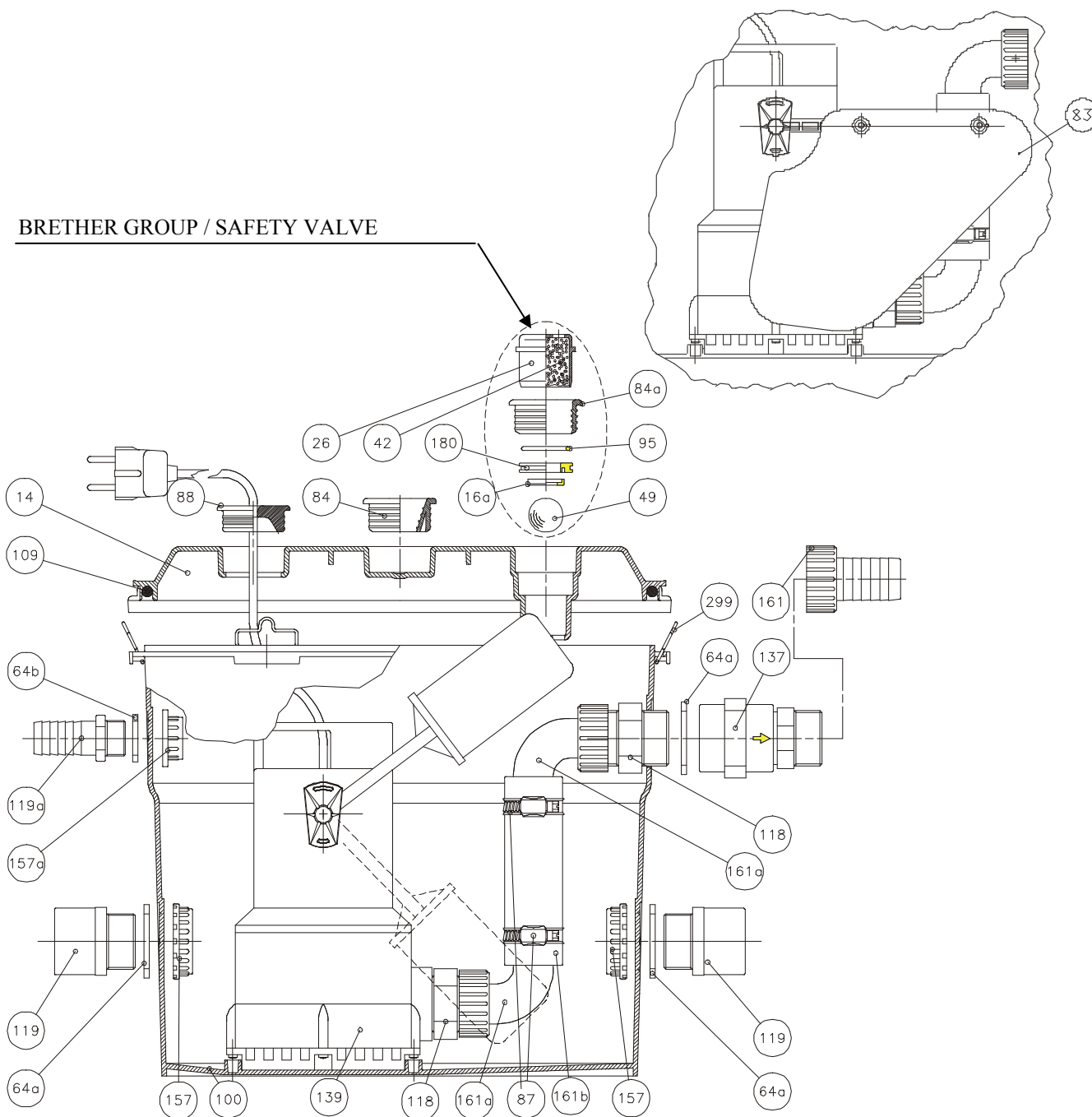
## DIMENSIONS





ASSEMBLY DIAGRAM

FLOAT TYPE B "SHOWER"

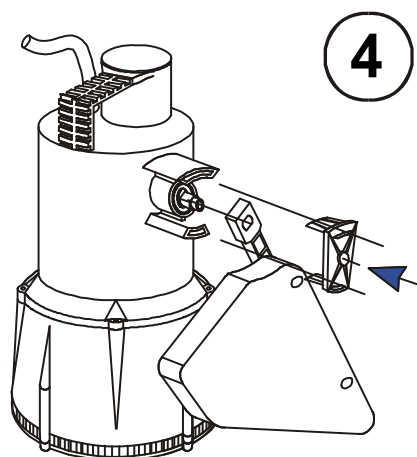
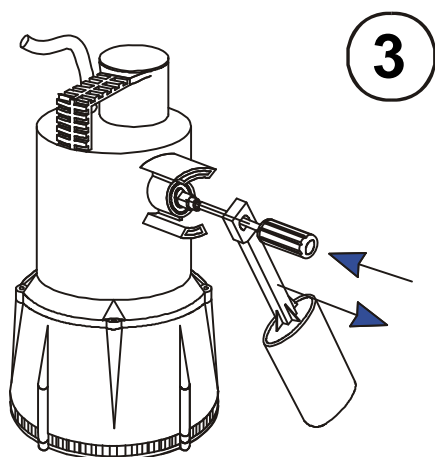
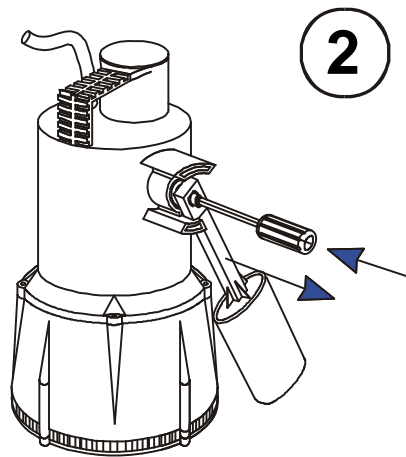
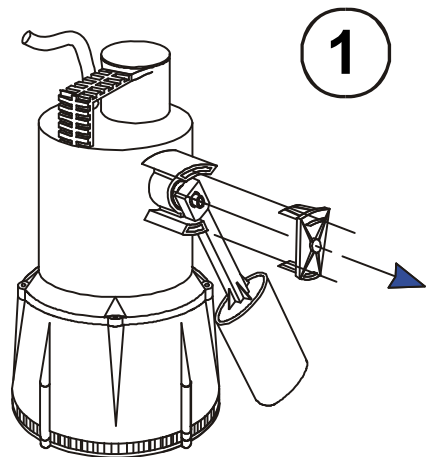


- 139. PUMP
- 100. TANK
- 14. COVER
- 109. GASKET
- 229. CLOSING CLIP
- 118. NIPPLE 1 1/4"
- 161a. CURVED HOSETAIL 1 1/4" x 32
- 64a. GASKET Ø 1 1/4"
- 64b. GASKET Ø 3/4"
- 161b. NIT. RUBBER HOSE 32

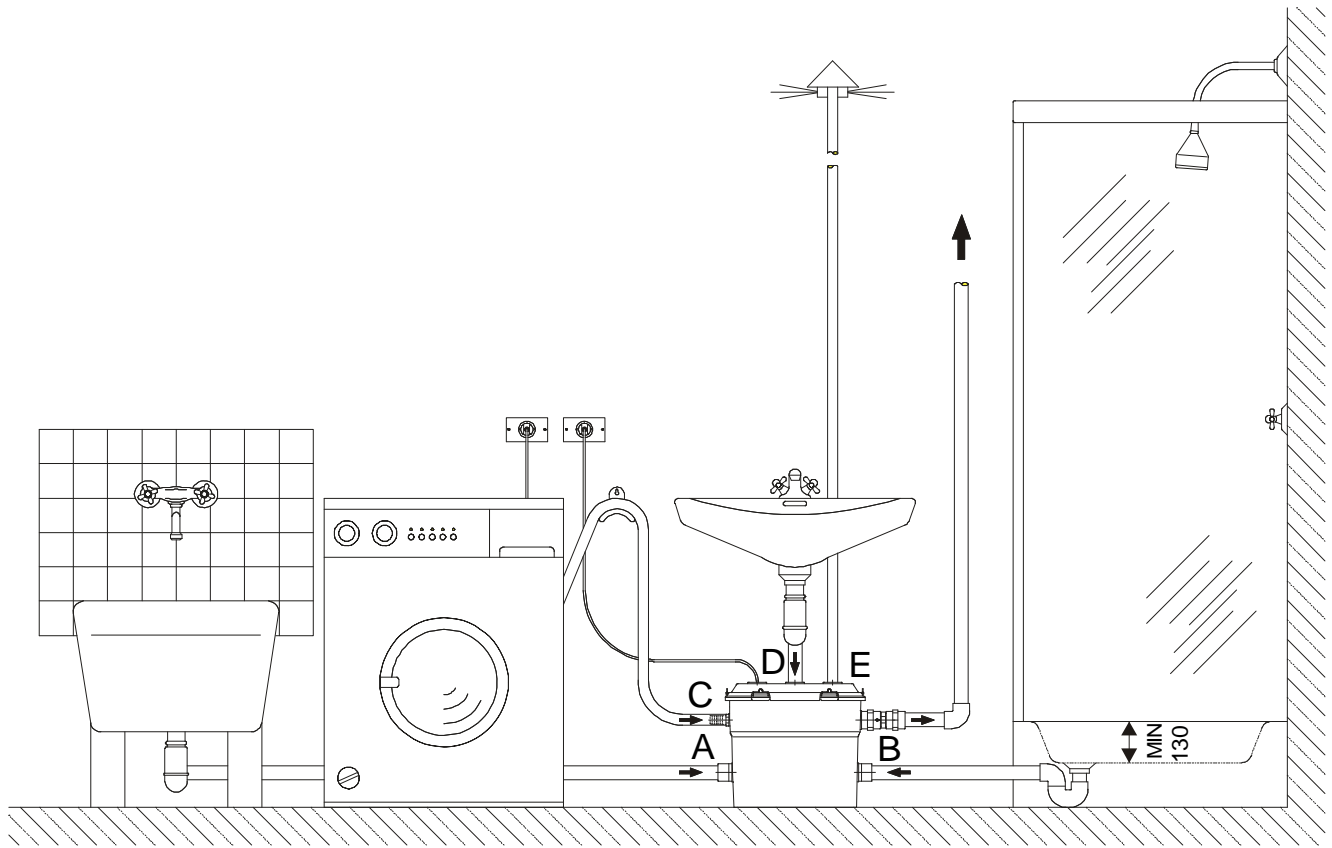
- 87. SCREW CLAMP Ø 44
- 137. CHECK VALVE 1 1/4"
- 157. COLLAR 1 1/4"
- 119a. STRAIGHT HOSETAIL 3/4" x 25
- 161. STRAIGHT HOSETAIL 1 1/4" x 32
- 88. RUBBER CABLE CLAMP
- 119. ADAPTER 50 x 40 x 1 1/4"
- 157a. COLLAR 3/4"
- 84. TUBE CLAMP Ø 30 mm
- 83. SHOWER FLOAT KIT

- BREATHER GROUP / SAFETY VALVE**
- 49. FLOAT BALL
  - 16a. SEAL RING Ø 15 mm
  - 180. VALVE SUPPORT DISC
  - 95. O-RING 3143 36.14 x 2.62
  - 26. BREATHER CAP
  - 84a. TUBE CLAMP Ø 40 mm
  - 42. FILTER PLUG NUT

SCHEMA MONTAGGIO: KIT GALLEGGIANTE DOCCIA-SCHÉMA DE MONTAGE: KIT FLOTTEUR DOUCHE  
ASSEMBLY DIAGRAM: SHOWER FLOAT KIT-MONTAGESCHEMA: KIT SCHWIMMER DUSCHE  
MONTAGESCHEMA: SET VLOTTER DOUCHE-ESQUEMA DE MONTAJE: KIT FLOTADOR DUCHA  
MONTERINGSSCHEMA: FLOTTÖRSATS DUSCH -МОНТАЖНАЯ СХЕМА: КОМПЛЕКТ ПОПЛАВКА ДЛЯ ДУША  
SCHEMA DE MONTAJ: KIT PLUTITOR DE DUS - SCHÉMA ZAPOJENÍ: KIT SHOWER FLOAT



ESEMPIO DI INSTALLAZIONE / EXEMPLE D'INSTALLATION / EXAMPLE OF INSTALLATION  
INSTALLATIONSBEISPIEL / INSTALLATIEVOORBEELD / EJEMPLO DE INSTALACION / INSTALLATIONSEXEMPEL  
ПРИМЕР МОНТАЖА / EXEMPLU DE INSTALARE / PŘÍKLAD INSTALACE





---

**DAB PUMPS LTD.**

Units 4 & 5, Stortford Hall Industrial Park,  
Dunmow Road, Bishop's Stortford, Herts  
CM23 5GZ - UK  
salesuk@dwtgroup.com  
Tel.: +44 1279 652 776  
Fax: +44 1279 657 727

**DAB PUMPS B.V.**

Brusselstraat 150  
B-1702 Groot-Bijgaarden - Belgium  
info.belgium@dwtgroup.com  
Tel.: +32 2 4668353  
Fax: +32 2 4669218

**PUMPS AMERICA, INC. DAB PUMPS DIVISION**

3226 Benchmark Drive  
Ladson, SC 29456 USA  
info.usa@dwtgroup.com  
Ph. : 1-843-824-6332  
Toll Free: 1-866-896-4DAB (4322)  
Fax : 1-843-797-3366

**OOO DWT GROUP**

100 bldg. 3 Dmitrovskoe highway,  
127247 Moscow - Russia  
info.russia@dwtgroup.com  
Tel.: +7 495 739 52 50  
Fax: +7 495 485-3618

**DAB POLAND - Representative Office**

Mokotow Marynarska  
Ul. Postepu 15c - 3rd Floor  
02-676 Warsaw - POLAND  
Tel. +48 223 81 6085

**DAB PUMPS CHINA**

No.40 Kaituo Road, Qingdao Economic &  
Technological Development Zone  
Qingdao City, Shandong Province, China  
PC: 266500  
info.china@dwtgroup.com  
Tel.: +8653286812030-6270  
Fax: +8653286812210

**DAB PUMPS IBERICA S.L.**

Avenida de Castilla nr.1 Local 14  
28830 - San Fernando De Henares - Madrid  
Spain  
info.spain@dwtgroup.com  
Ph.: +34 91 6569545  
Fax: +34 91 6569676

**DAB PUMPS B.V.**

Albert Einsteinweg, 4  
5151 DL Drunen - Nederland  
info.netherlands@dwtgroup.com  
Tel.: +31 416 387280  
Fax: +31 416 387299

**DWT South Africa**

Podium at Menlyn, 3rd Floor, Unit 3001b,  
43 Ingersol Road, C/O Lois and Atterbury,  
Menlyn, Pretoria, 0181 South-Africa  
info.sa@dwtgroup.com  
Tel +27 12 361 3997  
Fax +27 12 361 3137

**DAB PUMPEN DEUTSCHLAND GmbH**

Tackweg 11  
D - 47918 Tönisvorst - Germany  
info.germany@dwtgroup.com  
Tel.: +49 2151 82136-0  
Fax: +49 2151 82136-36

**DAB UKRAINE Representative Office**

Regus Horizon Park  
4M. Hrinchenka St, suit 116  
03680 Kiev. UKRAINE  
Tel. +38 044 391 59 43

**DAB PRODUCTION HUNGARY KFT.**

H-8800  
NAGYKANIZSA, Buda Ernó u.5  
HUNGARY  
Tel. +36.93501700

**DAB PUMPS S.p.A.**

Via M. Polo, 14 - 35035 Mestrino (PD) - Italy  
Tel. +39 049 5125000 - Fax +39 049 5125950  
www.dabpumps.com