

## GENERAL INFO

## INDUSTRIAL ULTRAVIOLET WATER TREATMENT SYSTEMS

Control bacteria & virus issues in water *including E.coli, Cryptosporidium and Giardia.*

Puretec RI Series ultraviolet disinfection systems are ideal for microbiological protection in your industrial application. Constructed with highly polished 316L stainless steel reactors and industrial grade enclosures, it uses proven low pressure amalgam (LP-AM) lamp technology offering stable output in both hot and cold water applications.

Covering a wide variety of applications in both regulated and unregulated markets, RI Series offers environmentally friendly disinfection at lower capital and operating costs than traditional disinfection solutions.

*All UV systems require prefiltration to at least 10 micron.*

## FEATURES & BENEFITS

- Colour user interface with full diagnostics and warnings.
- “Future-proof” expandability port for future upgrades and options.
- Axial flow, 316L stainless steel reactor, polished reactors with integral sensor port to allow for sensor upgradeability in the future.
- Universal input, constant current electronic controller in a splash-proof case.
- 12,000 hour lamp life.



RI-37K

UV sterilizer, 322 Lpm, 316 SS,  
50mm connection



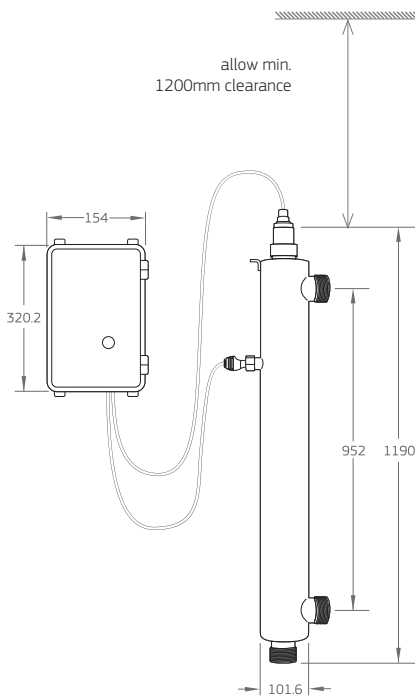
RI-60K

UV sterilizer, 530 Lpm, 316 SS,  
75mm connection

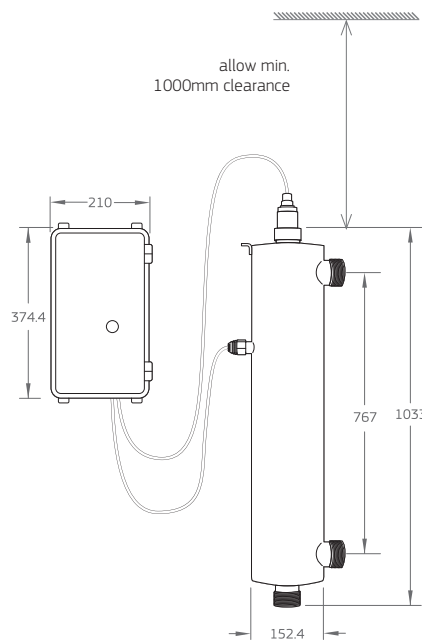
Ordering Code:	RI-37K	RI-60K
Flow Rate @ 16 mJ/cm <sup>2</sup>	632 Lpm	996 Lpm
Flow Rate @ 30 mJ/cm <sup>2</sup>	322 Lpm	530 Lpm
Flow Rate @ 40 mJ/cm <sup>2</sup>	252 Lpm	401 Lpm
Connection:	2" MNPT	3" MNPT
Replacement Lamp:	RL37K	RL60K (2x required)
Replacement Sleeve:	RQS37K	RQS60K
Operating Temperature:	2 - 60°C (36 - 148°F)	2 - 60°C (36 - 148°F)
Power Supply:	230V / 50-60Hz	230V / 50-60Hz
Warranty:	2 years <sup>^</sup>	2 years <sup>^</sup>
Optional Accessories:	RI-SEN3 - UV sensor module, suits RI-37K RI-TMV - Water temperature management valve, ½" BSP RI-MC37K - UV remote monitor cable, 10m, suits RI-37K, RI-60K	

Model:	RI-37K	RI-60K
Plug Type	Australian AS/NZ 3112, 3-wire for all 230V	Australian AS/NZ 3112, 3-wire for all 230V
Lamp (Watts)	207	344
Power (Watts)	220	360
Chamber Material	316L Stainless Steel, A249 Pressure Rated Tubing, Polished & Passivated	316L Stainless Steel, A249 Pressure Rated Tubing, Polished & Passivated
Maximum Operating Pressure	10.3 bar (150 psi)	10.3 bar (150 psi)
UV Monitoring Port (Upgradeability)	Yes	Yes
Remote - On	Yes	Yes
Dry Contacts (Solenoid Ready)	Yes	Yes
4-20 mA Output	Yes	Yes
Lamp Age Counter	Yes	Yes
Visual Lamp-Out Indicator	Yes	Yes
Audible Lamp-Out Alarm	Yes	Yes

## PRODUCT DIMENSIONS Measurements in Millimeters (mm)



RI-37K



RI-60K

- Note:**
1. No claims can be made based on the specifications and images in this document. The design, technology, colours, features and prices are subject to change.
  2. This document and all its contents are copyright protected. All rights are reserved, particularly alteration, translation and reproduction using electronic systems.
  3. ^Warranties in this document cover parts for the period stated and include 1 year cover for parts and labour for the first year where applicable, subject to approval. Plus 1 years parts only. Our Water Filtration Specialists can provide you with advice to suit your needs.